

# INSTALLATION INSTRUCTIONS

Gen Secure

CC-200



## CC-200 Gen Secure

Keeps generator and other gear secure in storage and while traveling

### Specifications

- Fits on Trailer Trays (CC-255)
- Aluminum diamond plate won't rust
- Maximum generator dimensions:  
29" wide, 21" tall, 14-3/8" deep

### Warnings

Gen Secure (CC-200) is designed to discourage theft of stored items under lock and key. All safes can be cracked, so please be aware we can slow a thief down, but cannot prevent the most motivated burglar. In short, we are not responsible for stolen items from our locked box.

Vents are provided in our generator box to allow residual propane fumes and gas fumes to exhaust—while parked or traveling.

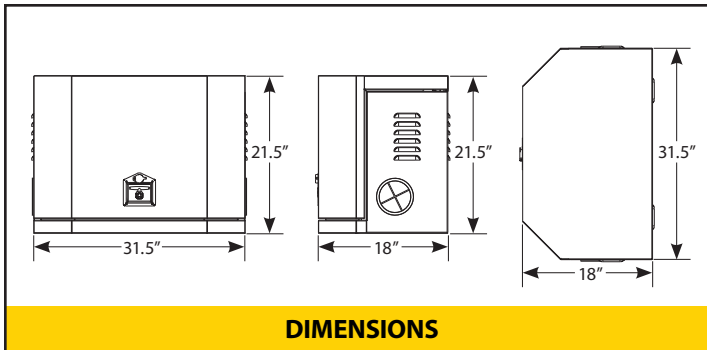
**When operating your generator the CC-200 lid must remain open to properly create enough air flow to cool your generator. Lid must remain open until generator is cool to the touch.**

There is a lock knob to help you secure the lid in your desired position. The lid is limited to opening just past 180 degrees to protect your vehicle's siding.

Rubber access ports can be scored and used to:

1. Allow access to cords and plugs.
2. Allow direct venting of exhaust fumes and residue via a tube if you wish to hook one up.

Tie down rings have been welded into our box to secure any materials stored – including a generator – with our provided tie down straps.



DIMENSIONS







Patent Pending INS-CC200-C 04.08.2024

 **STROMBERG CARLSON  
PRODUCTS INC.**

**StrombergCarlson.com • 231.947.8600**

### Installation Instructions

- Put the CC-200 Generator Box / Storage Box on the CC-255 Trailer Tray.
- Install the bolts (A) through the Trailer Tray in the storage box bottom holes with nut inside box, put the fender washers (C) on the nuts, then tighten the screws (B).

- A**  Bolt M10\*20 8 PC
- B**  Screw M10 8 PC
- C**  Washer M10\*20 8PC
- D**  Key
- E** Tie down straps
- F** Lift cylinder
- G** Rubber access port
- H** Cover
- I** Handle assembly
- J** Lock
- K** Lock cover
- L** Slide
- M** Knob style wing nut
- N** Pull down assist strap

