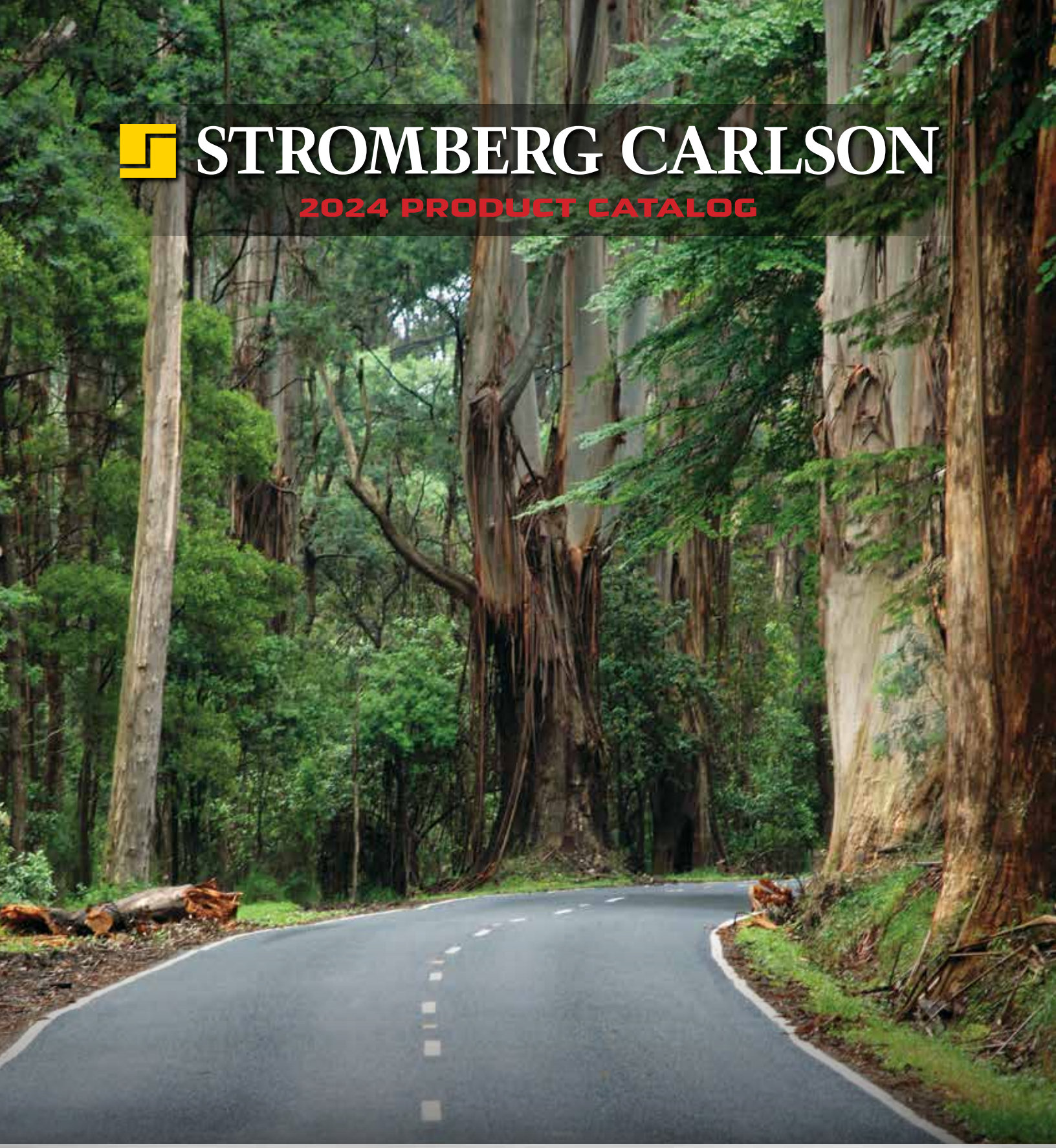




# STROMBERG CARLSON

2024 PRODUCT CATALOG



**ADDING FUN  
AND FUNCTION  
TO EVERY ADVENTURE**





# IT PAYS TO BE STROMBERG STRONG.

At Stromberg Carlson, we're celebrating over 60 years of delivering what your customers demand most. Namely, confidence, convenience, durability and value that lasts a long way down the road.

Since 1959, when our grandfather David Stromberg started the business, we've remained committed to a level of quality and innovation that has made us one of the most trusted names in the industry. Which means when you work with us, we're behind you and your business for the long haul.

**ARE YOU**  
**STROMBERG  STRONG**



# INDEX

Accessory Hitch.....	24	Jack-In-A-Box.....	13
Base Pads .....	8	Kits – Stabilizing & Leveling .....	9
Base Pad Chart.....	9	Ladders .....	16
Base Pad Extreme.....	7	Ladder Replacement Parts .....	17
Base Pad Leveler.....	11	Ladder Racks .....	18
Base Pad Peak .....	7	Lend-A-Hands .....	4
Base Pad Shoe.....	10	Locking Lend-A-Hand.....	5
Bike Bunk .....	23	Manual RV Steps.....	15
Bike Carriers .....	25, 26	New Products .....	33
Bumper Receiver .....	24	Platform Steps.....	14
Cargo Caddy .....	22	Rail Mate .....	6
Clothes Line (Bumper Mount) .....	20	Roof Rail .....	18
Displays & Signs .....	28-31	Scissor Jacks.....	13
Dura Grip.....	6	Scissor Jack Shoe .....	10, 32
Econo Porch.....	14	Soft Touch.....	4
Electric Tongue Jacks .....	12	Stabil-Step .....	13
Electric Tongue Jack Cover .....	12	Stake & Grill .....	21
Extend-A-Shower.....	21	T-Chock .....	11
Extend-A-Line.....	20	Tailgates.....	27
Fifth Wheel Landing Gear .....	19	Tire Carriers .....	15
Gen Secure.....	24, 32	Trailer Tray.....	23
Hitching Post.....	13	Wheel Chock .....	11
Hot Stick .....	20	Zip Grip .....	6
Hose/Cord Caddy.....	22		



# COME ON. GET A GRIP.

## STROMBERG RAILS



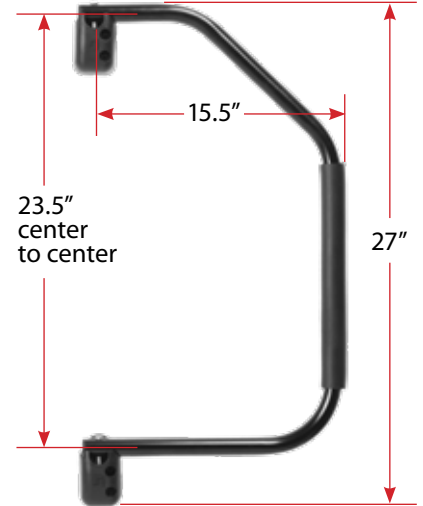
### Lend-A-Hand



#### Foam grip for easier handling

- Aluminum powder coated tubing to resist rust
- Folds in either direction
- No tools required for securing rail in open or closed positions
- Will not break a fall, but will help prevent it
- Made in the USA

- AM-200\* White Finish
- AM-300\* Silver Sparkle Finish
- AM-800\* Black Finish
- AM-250\* White Finish (Mini)
- AM-255\* Black Finish (Mini)
- FP-1001-R\* Original Foam Grip
- FP-1002-R\* Replacement Grip Wrap



Standard

Mini

You may have a 2 or 3 hole bracket depending on your model number.



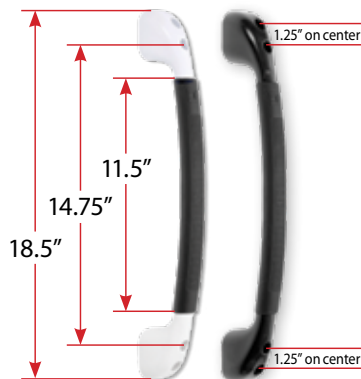
### Soft Touch



#### Easy-to-grab, soft-touch handle

- Comfort molded finger grips
- Greater convenience and safety than a plastic or aluminum strap
- Made in the USA

- AH-100\* White Handle
- AH-150\* Black Handle



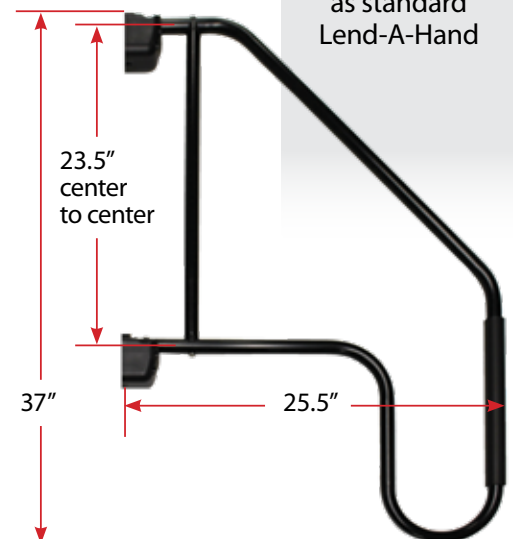
### Lend-A-Hand Extended Assist Rail



#### Extends additional 10" out and 13.5" down for better user balance

- Aluminum powder coated tubing to resist rust
- No tools required for securing rail in open or closed positions
- Will not break a fall, but will help prevent it
- Made in the USA

- AM-533\* Black Finish

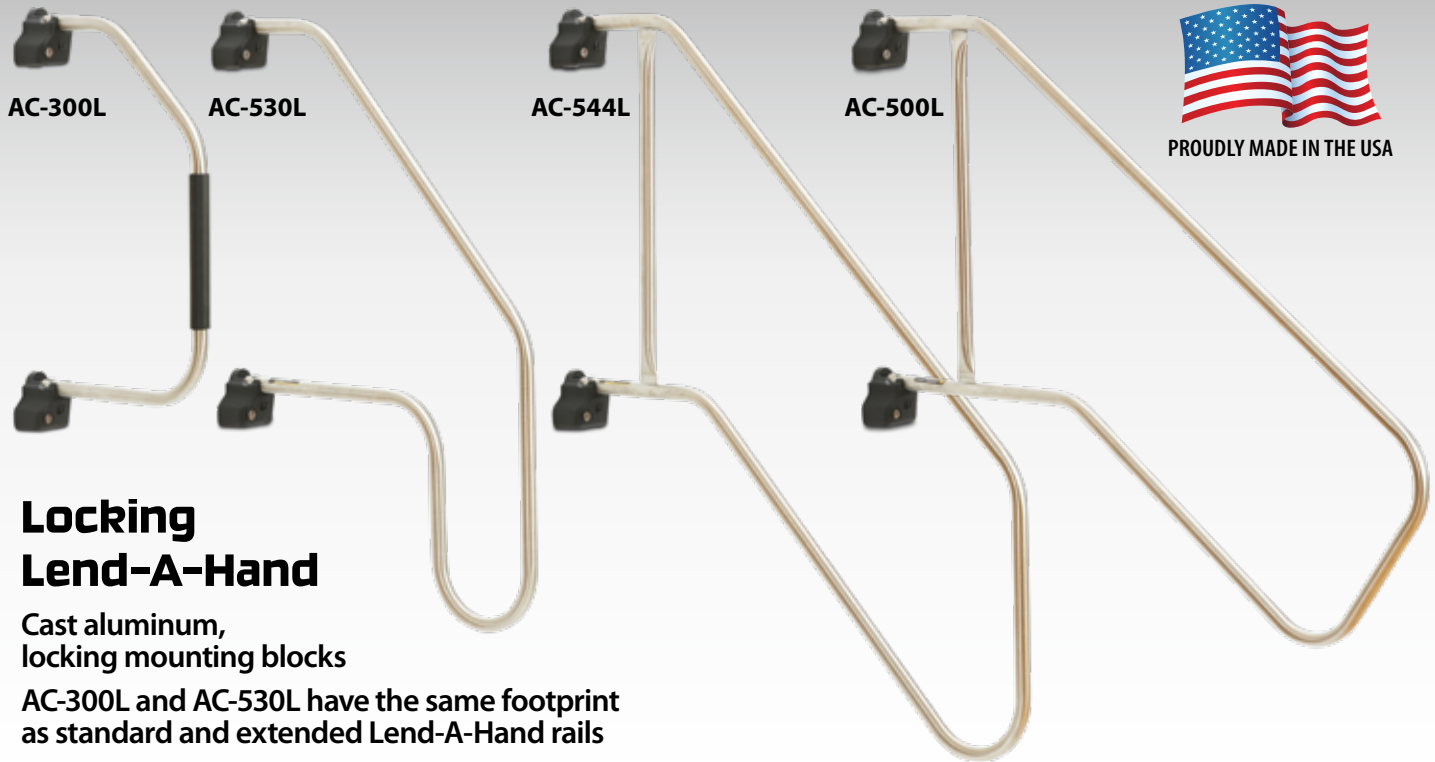


Same footprint and bracketry as standard Lend-A-Hand



# LOCKING COMMERCIAL RAILS

**STROMBERG RAILS**



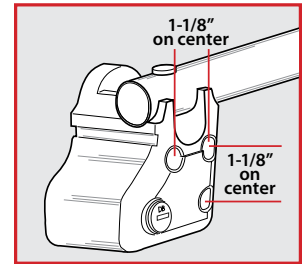
## Locking Lend-A-Hand

Cast aluminum, locking mounting blocks

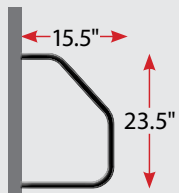
AC-300L and AC-530L have the same footprint as standard and extended Lend-A-Hand rails

- 1" round stainless steel rail tube
- Can support up to 200 lb when mounted correctly
- Railing can swing in either direction
- No tools required for securing rail in open or closed position once installed
- Compatible with Bauer Key'd-A-Like Program
- Backer plate kit available AM-030L (hardware for one complete rail)
- For hand grips, see Dura Grip and Zip Grip
- Made in the USA

AC-300L\* AC-544L\*  
 AC-530L\* AC-500L\*  
 AM-030L\* Backer Plate Kit

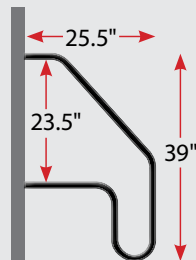


**AC-300L**



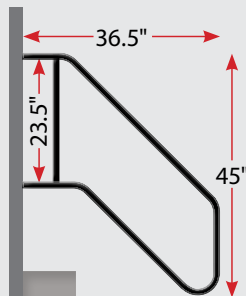
AC-300L with a 9" Rise and 8" Run Step

**AC-530L**



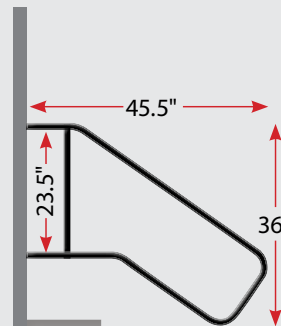
AC-530L with a 9" Rise and 8" Run Step

**AC-544L**



AC-544L with a 9" Rise and 8" Run Step

**AC-500L**



AC-500L with a 7" Rise and 11" Run Step

**AM-030L**



**Backer Plate Kit**  
 Required for structural backing if no door stud is available at mounting hole (sold separately)

# HAND RAIL GRIPS



## Dura Grip

Replace worn out hand rail grip  
Soft molded rubber hand hold for comfort

- Add an additional grip along rail
- Fits any 1" diameter rail or tube
- Two sided tape keeps it from turning in your hand
- Cable ties included for security
- Durable and rot resistant
- 2 year warranty
- Made in the USA

AM-01\* Dura Grip



PROUDLY MADE IN THE USA

Easy snap  
and lock  
installation

No tools  
required



Scan for  
installation  
video

## Zip Grip



AM-ZIP22 AM-ZIP39 AM-ZIP2239

Keep your hand comfortable  
and cool with colorful Zip Grip  
3 colors available, Charcoal, Blue,  
and Tan to match your coach

- Made of UV resistant neoprene with a rubber backing material
- Fits any 1" diameter rail
- Machine washable on gentle cycle, hang to dry
- Nylon zipper has a 2 year warranty
- Pockets available for cable ties to secure it to your handle
- Lend-A-Hand not included



Scan for  
installation  
video

### AM-ZIP22

Grip length 22" (Fits AM-250, AM-255)

### AM-ZIP39

Grip length 39"  
(Fits AM-200, AM-300, AM-800, AC-300L)

### AM-ZIP2239

2 pieces, Grip lengths 22" & 39"  
(Fits AM-533, AC-500L, AC-530L, AC-544L)

AM-ZIP22C*	Charcoal	AM-ZIP2239C*	Charcoal
AM-ZIP22B*	Blue	AM-ZIP2239B*	Blue
AM-ZIP22T*	Tan	AM-ZIP2239T*	Tan

AM-ZIP39C*	Charcoal
AM-ZIP39B*	Blue
AM-ZIP39T*	Tan

## Replacement Hand Rail Grips

FP-1001-R\* Original Foam Grip  
FP-1002-R\* Replacement Grip Wrap



Scan for  
installation  
video



## Rail Mate

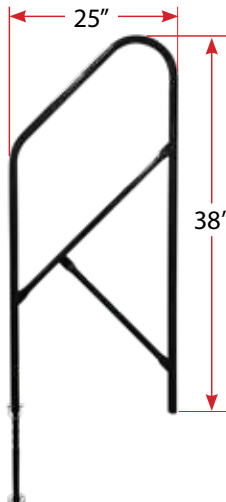
Large handle is easy  
to reach and use  
Designed for most double,  
triple, quad entry manual steps

- Helps you keep your balance entering or exiting RV
- Lightweight, easy to install
- Easily removable to store during travel
- Rail extends 25" from coach for added safety
- Does not require you to drill into the wall of coach
- Will not break a fall, but will help prevent it
- Made in the USA

AP-101\* Rail Mate



PROUDLY MADE IN THE USA



Adjustable  
drop-down leg  
adds up to an  
additional 24" to  
the rail's height



New adjustable bracket



# Stromberg Base Pads



## Base Pad Extreme



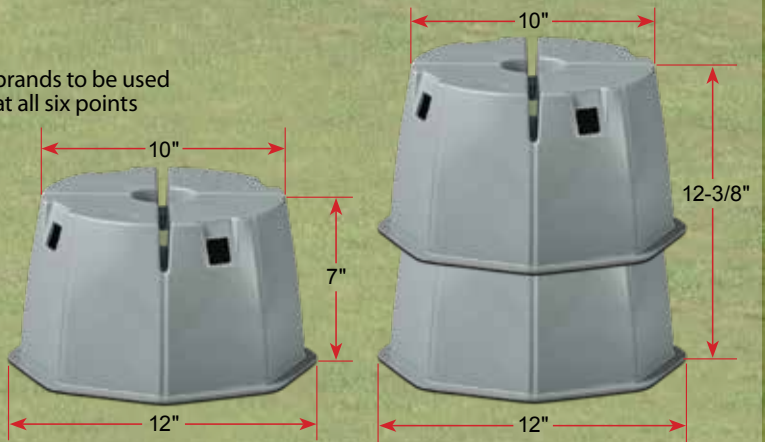
Extends life of hydraulic leveling system by minimizing length of travel  
Improves stability of your parked and leveled RV

- 6000 lb capacity, 3500 lb when two are stacked
- Side panel finger hole for ease of carrying and retrieving
- Light weight polycarbonate materials – like bullet proof glass
- Can be used with 1" or 2" thick Base Pads on soft surfaces – like hot asphalt or sand
- Won't cut any RV shoe or pad
- 1" shorter than other brands to be used in unlevel conditions at all six points
- No magnets
- Made in the USA

- JBP-712.1\* Single Pack
- JBP-712.2\* 2 Pack
- JBP-712.4\* 4 Pack
- JBP-712.6\* 6 Pack



Scan here for video



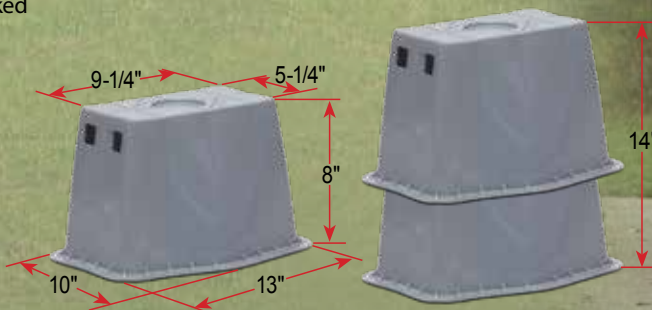
## Base Pad Peak



Extends life of tongue jack, scissor jack or stab jack by minimizing length of travel

- Blocks your tongue, scissor or stab jacks
- Light weight, high strength material
- 3500 lb capacity individually, 3000 lb capacity when stacked
- Side panel finger hole for ease of carrying and retrieving
- Made in the USA

- JBP-813.1\* Single
- JBP-813.2\* 2 Pack
- JBP-813.4\* 4 Pack
- JBP-813.5\* 5 Pack



Scan here for video



# BASE PADS

## Base Pads

Available in 4 sizes



Provides reliable support for your RV – on any surface

Molded EPDM rubber (not crumb rubber)  
will not split, shred, crack or break

- Can be used on landing gear feet, scissor jack bases and tongue jacks
- 30,000 lb capacity evenly loaded
- Resistant to UV, water, mold and corrosion
- Easy to clean and store
- Interlock Base Pads to ramp up to level
- Made in the USA

JBP-69.625\*      JBP-1214.1\*  
(6"x9"x.625") 4 Pack      (12"x14"x1") 2 Pack  
JBP-1011.1\*      JBP-1214.2\*  
(10"x11"x1") 2 Pack      (12"x14"x2") Single Pack



Use with  
Base Pad Extreme  
on soft surfaces like  
sand or hot asphalt



6" x 9" Pad

10" x 11" Pad

12" x 14" Pad

Standard  
Tongue  
Jack Foot



Standard  
Scissor  
Jack Foot



Standard  
Landing  
Gear Foot



Premium  
9" Landing  
Gear Foot

Does Not Fit





# STABILIZING & LEVELING KITS

## Travel Trailer Stabilizing & Leveling Kit



This 14-piece kit has everything needed to stabilize your single or double axle trailer.

JBP-TTKIT\*

### KIT INCLUDES:

- (1) JBP-813.1 Base Pad Peak
- (1) JBP-69.625 Base Pads (4 pack)  
6" x 9" x .625"
- (2) JBP-C256 Wheel Chocks
- (2) JBP-C300 Base Pad Levelers  
(includes chocks and anti-slip mats)
- (1) Storage Bag



Scan here for video



## Fifth Wheel Stabilizing & Leveling Kit

This 9-piece kit improves the stability of your parked and leveled Fifth Wheel.

JBP-FWKIT\*

### KIT INCLUDES:

- (4) JBP-712.1 Base Pad Extreme  
Light weight polycarbonate material
- (4) JBP-C256 Wheel Chocks  
Molded EPDM rubber (not crumb rubber)
- (1) Storage Bag



# BASE PADS THAT STAY ATTACHED

## Base Pad Shoe

### Jack Pads that stay attached!



**9" Shoe** fits Lippert's 4 and 6 point leveling systems

**9" Shoe** fits round footpads made by Lippert, Pac Rim or Venture

**10" Shoe** fits EQ Systems round and octagonal 4 and 6 point leveling systems

**12" Shoe** fits EQ Systems 11.5" or 12" round foot for 4 and 6 point leveling systems

- Molded EPDM rubber (not crumb rubber) will not split, shred, crack or break
- EQ System often requires both 12" and 10" on the same RV
- Stays attached — no need to store
- Unique bottom increases ground stability — more surface area
- Protects footpads from rocks and roots
- Protects RV pad from rust stains
- Can support a 100,000 lb coach with 4 and 6 point leveling systems
- Ensure a maintenance free future when you add a fresh coat of paint to your footpads prior to installation
- Made in the USA

JBP-S9.1\* 9" Single Pack  
 JBP-S9.2\* 9" 2 Pack  
 JBP-S9.4\* 9" 4 Pack  
 JBP-S9.6\* 9" 6 Pack

JBP-S10.1\* 10" Single Pack  
 JBP-S10.2\* 10" 2 Pack  
 JBP-S10.3\* 10" 3 Pack  
 JBP-S10.4\* 10" 4 Pack

JBP-S12.1\* 12" Single Pack  
 JBP-S12.2\* 12" 2 Pack



## Base Pad Scissor Jack Shoe



### Jack Pads that stay attached!

Increases contact over 130%

Fits all 5000 lb to 9000 lb bow tie scissor jacks

- Adapter for 2500 lb (8" x 4-3/8") jacks coming soon
- Added traction on ground or block
- Molded EPDM rubber (not crumb rubber) will not split, shred, crack or break
- Insulates base from elements
- Tie wraps ensure installation and security
- Made in the USA

JBP-SJSC.2\* 2 Pack



Secure with tie wraps





# STABILIZE AND LEVEL

## T-Chock

### FOR TANDEM AXLES

Pressure applied against each axle locks tires in place, stabilizing the floor of your coach

- Fits tires spaced 2" to 17" apart
- Rust-resistant coating
- Handle for easy carrying and retrieving
- Wrench and handle included on all models



JBP-T217.1\*  
Single Pack

JBP-T217.2\*  
2 Pack

JBP-T217.W\*  
Replacement Wrench



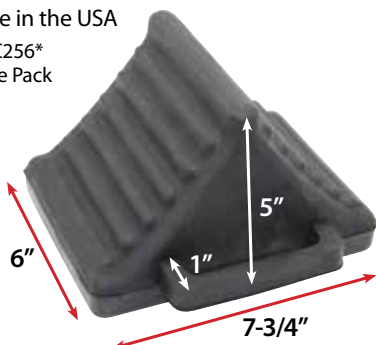
Scan here for video

## Trucker-Style Wheel Chock



Tough enough to hold even large motor coach tires in place

- Molded EPDM rubber (not crumb rubber) will not split, shred, crack or break
  - Resistant to UV, water, mold and corrosion
  - Provides reliable support for your RV – won't slide on hard surfaces
  - Easy to clean and store
  - Made in the USA
- JBP-C256\*  
Single Pack



## Base Pad Leveler



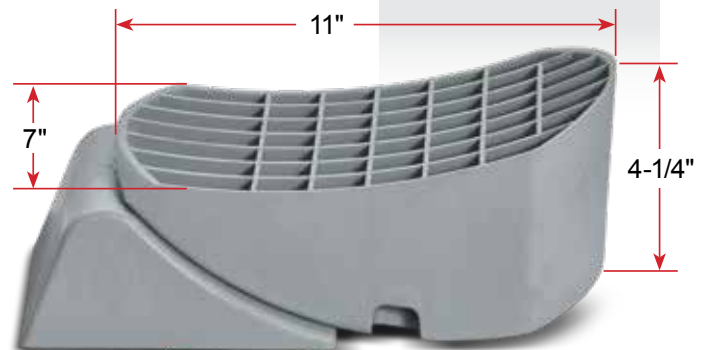
### With Chock and Anti-Slip Mat

Light weight, high strength material

- 30,000 lb capacity
  - Includes leveler, chock and anti-slip mat
  - Curved edges for easier removal between wheels
  - Shorter length for compact storage
  - Made in the USA
- JBP-C300\* Single Pack  
JBP-C302\* 2 Pack



Scan here for video



# WE KNOW JACK. AND THEN SOME.

## ELECTRIC TONGUE JACKS

The Stromberg electric tongue jack takes the physical exertion out of cranking a trailer up or down!



### Electric Tongue Jacks

Available in 2500, 3500, 4500 and 5000 lb capacities

Ball screw mechanism for smoother, quieter operation (4500 lb model)

- Retracted height 31-3/8"
- 18" vertical travel
- 5" drop down foot (3500, 4500, 5000 lb models)
- LED work lights for easy nighttime hookups
- Built in level
- 5-1/2" foot pad diameter
- Emergency crank through head
- 2 year limited warranty
- Full line of replacement parts

2500 Pound Capacity  
JET-2500\*

3500 Pound Capacity  
JET-3755\* Black  
JET-3555\* White

4500 Pound Capacity  
JET-4500\*

5000 Pound Capacity  
JET-5000\*



Scan for  
installation  
video



Scan for  
troubleshooting  
video

Ball screw technology  
on 4500 lb model  
allows jack to work  
with half the power  
of other jacks



Extend the life of any tongue jack by using **Base Pad Peak** or **Base Pad Extreme** to shorten the distance of travel and create a more robust support column.



### Electric Tongue Jack Cover

Protects electric tongue jack from weather while parked or traveling

- Water resistant, vinyl jack head cover with drawstrings
  - Fits all electric tongue jacks
  - Easily folds for storage
- JET-01\*





# STABILIZE AND LEVEL

## Scissor Jacks

Keeps your coach level and stable

Holds up to 5000 lb per jack

- Bowtie base sits well on hard and soft surfaces
- JSC-24 and JSC-30 have identical bowtie hole pattern
- Use Stromberg Base Pads with scissor jacks for additional stability

### 24" SCISSOR JACK

JSC-24\* Pair of jacks & handle  
JSC-24-IND\* Single jack only

### 30" SCISSOR JACK

JSC-30\* Pair of jacks & handle  
JSC-30-IND\* Single jack only



**JSC-24**  
expands from 4" to 24"

**JSC-30**  
expands from 5" to 30"



## Stabil-Step

Lengthen the life of any tread and step assembly attached to your RV by reducing load

- Eliminates sway for safe entry and exit
- Supports up to 750 lb

JSS-4\*  
Adjusts 4-1/4" to 7-3/4"

JSS-7\*  
Adjusts 7-3/4" to 14"

JSS-85\*  
Adjusts 8-1/2" to 15-1/2"



## The Hitching Post

Keep your trailer connections clean for better performance.

- Plug cover keeps out water, mud and dirt
- Chains snap in easily
- Fits manual or electric jacks
- Mounts on 2" to 2-5/16" jack posts  
JET-30\*



Scan for  
installation  
video

## Jack-In-A-Box

The surprise in this Jack-in-a-Box is that it stabilizes more than 10,000 lb **QUICKLY!**

Easy snap  
and lock  
adjustment



- Two jacks per carton
- Used to stabilize slide outs
- Removable U-top fits most frames
- All parts are powder-coated or zinc-plated for corrosion resistance
- Adjusts between 20" - 46"
- Easy snap and lock adjustment
- Supports 5000 lb per jack
- Foldable handle for compact storage

JB-246\*



# STEP RIGHT UP. SAFELY.

## RV STEPS

Our large platforms are strong, easy to use and provide traction for added safety.



### Die Cast Aluminum Step

- Step supports 1000 lb
- Die cast aluminum is more durable and dependable than welding
- Solid foot bottom won't cut rubber non-skid pad
- Rubber feet on legs prevent platform from slipping
- Large platform provides traction for safety
- Lightweight and rust resistant
- Reflective tape included (can be installed by customer)



PA-150\*



### Steel Step

**Solid steel construction with easy folding legs**

- Non-skid solid surface ensures pet's toe nails don't get trapped
- Maximum load 300 lb
- Legs deploy past the plane of platform providing stability in all directions
- 1.75" square steel foot plates ensure good contact on all surfaces

S-150\*



Scan here for video

Each leg adjusts independently using push buttons  
Three different height settings



### Die Cast Adjustable Aluminum Step

- Step supports 1000 lb
- Die cast aluminum is more durable and dependable than welding
- Solid foot bottom won't cut rubber non-skid pad
- Rubber feet on legs prevent platform from slipping
- Large platform provides traction for safety
- Lightweight and rust resistant
- Reflective tape included (can be installed by customer)



PA-275\*

### Econo Porch



Interchangeable handrail for left or right hand usage

2 and 3 step models available

- Landing platform: 27" wide x 16" deep
- 27" wide x 9" deep steps
- 2 step platform height: 21" (with 7" rise)
- 3 step platform height: 28" (with 7" rise)
- Porch supports 300 lb
- Made in the USA

EHS-102-R\* 2 Step  
EHS-103-R\* 3 Step





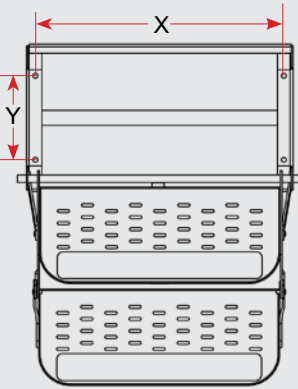
# MANUAL RV STEPS

## Manual Steps by Flexco



Replaces any step on the market

- 300 lb capacity
- "Low profile" single steps available
- Extremely sturdy and reliable
- Made in the USA



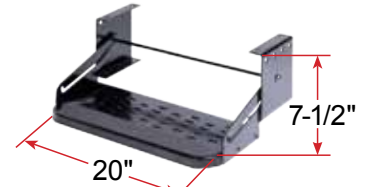
### Mounting hole dimensions

Step Model	X	Y
SMFP-1100	23-1/4"	4-1/2"
SMFP-1120	19-5/16"	4-1/2"
SMFP-1200	26-1/2"	12-1/2"
SMFP-1220	22-1/2"	12-1/2"
SMFP-2100	24-5/8"	7"
SMFP-2120	20-5/8"	7"
SMFP-3100	25-1/2"	5-1/2" / 7"
SMFP-3200L	25-3/8"	5-1/2" / 7"
SMFP-4400	25-3/8"	5-1/2" / 7"

- SMFP-1100\* 24" W Single 7-1/2" Rise
- SMFP-1120\* 20" W Single 7-1/2" Rise
- SMFP-1200\* 24" W Single 2-3/4" Rise
- SMFP-1220\* 20" W Single 2-3/4" Rise
- SMFP-2100\* 24" W Double 8" Rise
- SMFP-2120\* 20" W Double 8" Rise
- SMFP-3100\* 24" W Triple 8" Rise
- SMFP-3200L\* 24" W Triple 9-1/2" Rise
- SMFP-4400\* 24" W Quad 8" Rise



SMFP-1100



SMFP-1120



SMFP-1200



SMFP-1220



SMFP-2100



SMFP-2120



SMFP-3100



SMFP-3200L



SMFP-4400



TR-1 Universal Rigid

TR-2 Universal Folding

## Tire Carriers

Universal tire carrier for 14", 15" and 16" travel trailer or fifth wheel tires



Scan for installation video

- Formed column is flanged and gusseted to reduce tire vibration
- Easily bolts to a 4" square bumper
- No welds to break
- Folding carrier has built in stop so the tire won't fall when tilted down — gives access to rear storage

TR-1\* Universal Rigid  
TR-2\* Universal Folding

# MORE WAYS TO CARRY ON AND CLIMB ABOARD.

## RV LADDERS

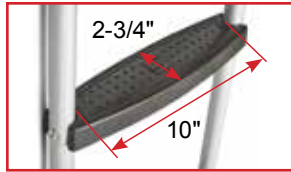
### Bunk Ladder



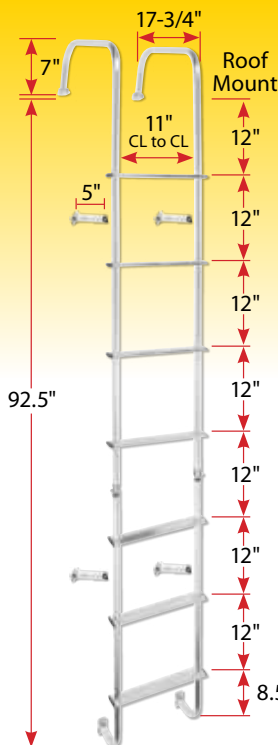
Available in multiple lengths and colors

- Injection molded treads provide comfort to bare feet
- Ladders can be trimmed for access to shorter bunks
- 250 lb maximum (at an 11° mounting angle)
- Large hooks can go over fascia board or mount included bracket for more security
- Shipped unassembled
- Made in the USA

- LA-2021460\* 60" Ladder Silver
- LA-2021466\* 66" Ladder Silver
- LA-2021460B\* 60" Ladder Black
- LA-2021466B\* 66" Ladder Black



Scan for assembly video



### Universal Exterior RV Ladder

Can fit on the rear of any RV – straight or contoured

- Rugged construction
- 1" ladder tubing
- 250 lb maximum

- LA-401\* Exterior Ladder Silver
- LA-401BA\* Exterior Ladder Black

Hinged feature for non-straight/contoured or flat rear walls



### Starter Ladders



51-1/2" starter ladder

- 250 lb maximum (at a 10°-13° mounting angle)
- Shipped unassembled
- Made in the USA

- LA-2022152\* Starter Ladder





# LADDER REPLACEMENT PARTS



## Universal Exterior RV Ladder Replacement Parts

1. 8535\*  
8535-B\* (black) Aftermarket Standoff assembly  
5" long, rectangular base  
1 per bag  
(Stromberg, Top Line, Surco)
2. 8531\*  
8531-B\* (black) OEM Standoff assembly.  
Shipped 12" long, trim to length.  
Round base  
1 per bag  
(Christianson Industries, Atwood and others)
3. 8521-BK\* Roof Mounting Bracket for LA-401  
and LA-401BA (black)  
1 per bag
4. 8525-BK\* Swivel Castings for LA-401  
and LA-401BA (black)  
1 per bag
5. 8535-CP\* (black) U-shaped cradle and bolt for standoff
6. FST-9975\* Standoff Nut only  
Used in the top of bunk ladders  
and in standoffs.  
1 per bag
7. 8540-NT\*  
8540-NTB\* (black) Replacement treads can be installed without  
disassembling ladder  
1 per bag
8. 8540-CP\* Screw-in end cap only  
1 per bag



## Bunk and Starter Ladder Replacement Parts

1. 8532-RB\* Rubber foot for LA-2022152 starter ladder  
and LA-2021460, LA-2021466, LA-2021460B  
LA-2021466B bunk ladders
2. 6538-PT\* Tread for LA-2022152 starter ladder and  
LA-2021460, LA-2021466, LA-2021460B  
LA-2021466B bunk ladders
3. 2150\* Hardware for LA-2021460, LA-2021466,  
LA-2021460B, LA-2021466B bunk ladders
4. 2151\* Hardware for LA-2022152 starter ladder

# RV EXTERIOR RACKS & RAILS



## Ladder Bike Rack

Carries up to 2 bikes

- No rattling
- Made from aluminum
- 50 lb maximum capacity
- Length from bend to tip of extended bike arms is 13"
- Maximum distance between bike cradles is 9"
- Designed to attach to 1" round ladder tubing

LA-102\* Ladder Bike Rack



## Ladder Chair Rack

The strap and buckle secure your chairs as you travel

- No rattling
- Made from aluminum
- Rack arms have a 7.5" span
- 50 lb maximum capacity
- Designed to attach to 1" round ladder tubing

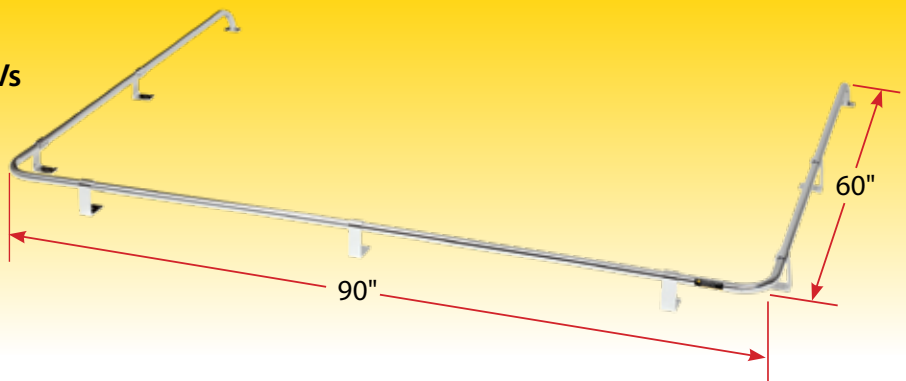
LA-104\*  
Ladder Chair Rack

## Roof Rail

Universal roof rail adjusts to fit all RVs

- 60" long by 90" wide (can be trimmed to fit most any size roof)
- Constructed of rust resistant 1" anodized aluminum tubing
- Includes seven 4" tall roof stanchions for even rail support
- 75 lb maximum capacity

LA-500\* Roof Rail Silver





# 5TH WHEEL LANDING GEAR

LG-179013\*  
29-1/2" Lead Leg  
Drop Leg and Pin



LG-179014\*  
29-1/2" Follow Leg  
Drop Leg and Pin



LG-177202\*  
33-1/2" Lead Leg  
Drop Leg and Pin



LG-177201\*  
33-1/2" Follow Leg  
Drop Leg and Pin



LG-142178\*  
Standard  
Motor  
5000 lb,  
30A,  
80 RPM



LG-217884\*  
Standard Motor  
and IP  
Rated  
Switch\*\*



LG-242800\*  
High  
Speed  
Motor  
5000 lb,  
30A,  
150 RPM



LG-242728\*  
High Speed  
Motor  
and IP  
Rated Switch\*\*



LG-145236\*  
IP Rated Switch



LG-146059\*  
Lead Leg Repair Kit  
Venture only



LG-146060\*  
Follow Leg Repair Kit  
Venture only



LG-179015\*  
Aluminum Gear Box



7145-943-00\*  
Reduction Gear Box  
Retainer



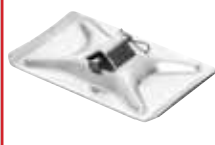
LG-Brackets\*  
Weld-on Brackets  
Set of 2



LG-119113\*  
3/8" Pull Pins



LG-119225\*  
Foot and Pin  
(rectangle)



LG-210475\*  
9" Round Foot Pad



LG-XS\*  
1"x1" and 3/4" x 3/4"  
Telescoping Tubes



LG-119226\*  
Manual Crank Handle



LG-5\*  
Dual Power  
Conversion Kit  
29-1/2" Leg  
Standard Motor



LG-6\*  
Dual Power  
Conversion Kit  
33-1/2" Leg  
Standard Motor



## Electric Landing Gear

LG-1\* 29-1/2" Leg Standard Motor  
(lifts 5000 lb load 20" in 7.4 minutes)

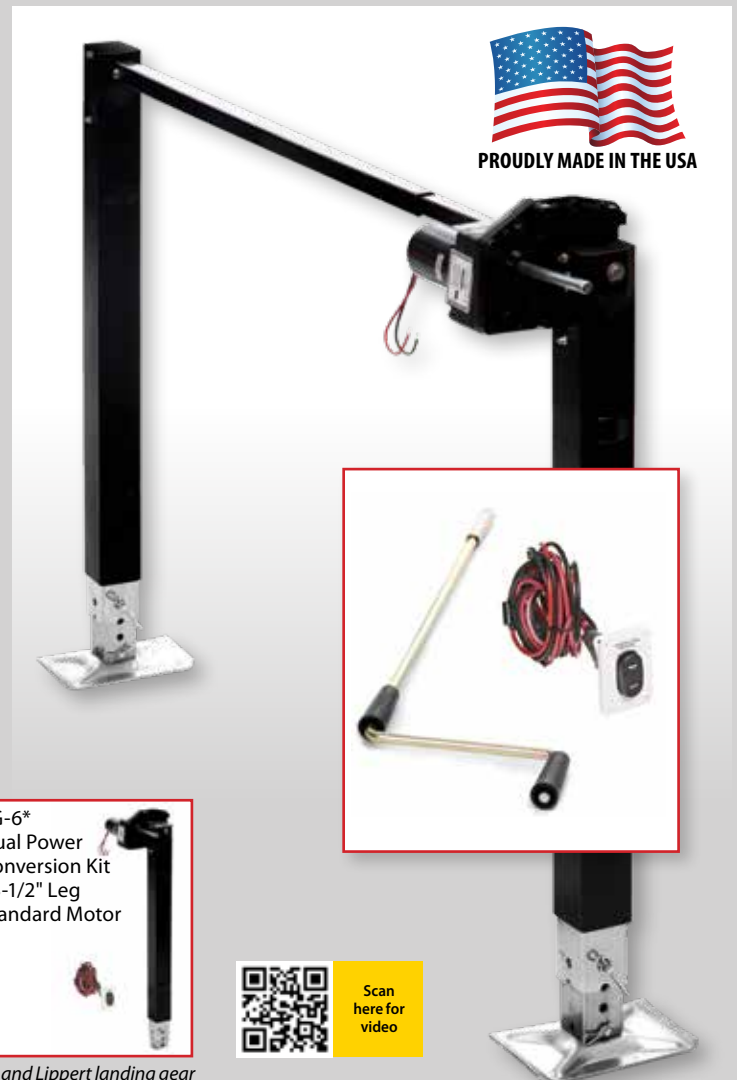
LG-2\* 33-1/2" Leg Standard Motor  
(lifts 5000 lb load 20" in 7.4 minutes)

LG-3\* 29-1/2" Leg High Speed Motor  
(lifts 5000 lb load 20" in 4.6 minutes)

LG-4\* 33-1/2" Leg High Speed Motor  
(lifts 5000 lb load 20" in 4.6 minutes)

## Manual Landing Gear

LG-183708\* 29-1/2" Leg



  
PROUDLY MADE IN THE USA



Scan  
here for  
video

\*\* Replacement motors and landing gear legs are compatible/interchangeable with both Venture and Lippert landing gear

# LAUNDRY ACCESSORIES



## Extend-A-Line



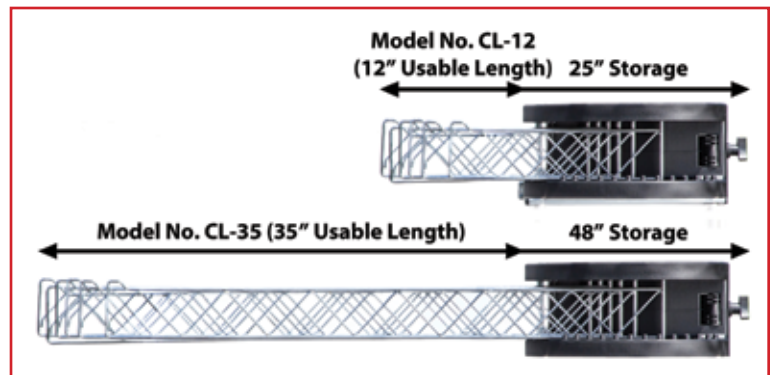
Six independent arms that can carry towels, suits and clothes on hangers

Supports 10 lb per arm, 60 lb maximum load when evenly spaced

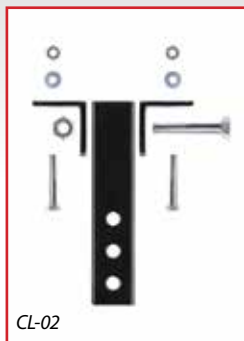
- Easily mounts to a 1" or 1-1/2" diameter exterior ladder with 9-5/8" to 10-1/8" spacing between upright tubing
- Bracket included for home use or RVs without ladders
- All arms fold to one side for storage (must be removed for travel)
- Alternate bumper and hitch mounts available (CL-01 and CL-02)
- Chrome plated arms and a plastic body resist rust
- Made in the USA

CL-12\* (12" usable line space)

CL-35\* (35" usable line space)



## Bumper Mounts



CL-02

CL-02\* allows CL-01 to be used in a 2" hitch



CL-01

CL-01\* attached on 4" square bumpers or 2" x 6" A frame

## Bumper Mount Clothes Line

- 48" long aluminum uprights
- Can be mounted up to 7' apart
- Strong and durable
- Can be removed for travel without tools
- Aluminum tubes are removable and the hardware can be used with a 4" square bumper

CL-100\* Bumper Mounted Clothes Line





# WE THOUGHT OF ALMOST EVERYTHING.

## The **SLIDE OUT** room for your shower!



### Extend-A-Shower

Creates more room in your RV or home shower

- Pivots into your shower stall when not needed
- Can be used to drip dry laundry over your shower basin
- Fits tubs 35"- 42" wide (can be trimmed for smaller openings)
- When not in use Extend-A-Shower pivots into your shower stall with no tools required

EXT-3542\* White Finish

EXT-3542S\* Satin Finish

### The Hot Stick

Non-conductive wooden handle stays cool to the touch and accommodates 2-handed grip

- Rust resistant stainless steel 3/8" shaft
- 42" long poker to maintain safe distance from fire
- Hooked shaft end to maneuver firewood and stoke ember
- Nylon strap for convenient storage when not in use
- 1-year limited warranty

FP-42\* The Hot Stick

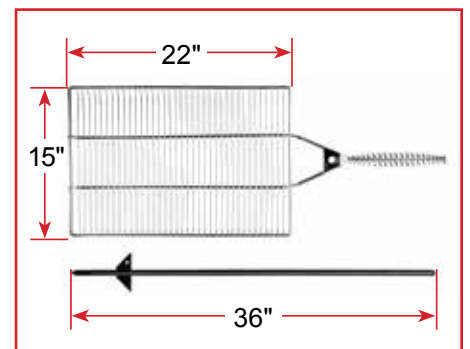


### Stake & Grill

Adjusts on stake to desired heat

- Turned up edges keep hot dogs and food on the grill
- Rotates 360 degrees
- Chrome finish cleans easily
- Wire handle insulates hand from heat
- Nylon bag included to keep neat and tidy

GR-1522\*



# OKAY, WE DID THINK OF EVERYTHING.



TO RV'S FRESH WATER INTAKE

TO CAMPGROUND WATER SUPPLY

## Hose/Cord Caddy



Holds up to 75' of fresh water hose or 50' of 30 AMP cord

- 17" wide, 6-1/2" tall
- Stores hose accessories
- Each hose end unwinds, bulk of hose remains in caddy
- Made in the USA

HC-75\* Hose Caddy



Scan here for video



## Cargo Caddy

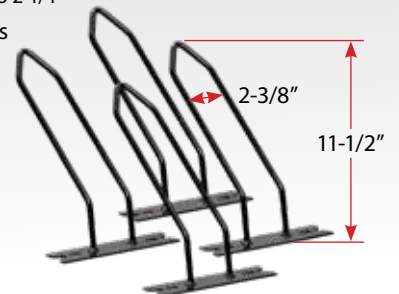
- Fits standard 2" receiver
- Supports up to 500 lb of evenly loaded cargo
- Inside dimensions 23.3" x 59.7"
- Powder coated to resist rust

CC-100\* Cargo Caddy

## Cargo Caddy Bike Rack

- Accommodates tire widths up to 2-1/4"
- Includes hardware for 2 bikes
- Wheel hoops bolt to mesh floor of cargo carrier
- Brackets can be turned either direction to corral bike tires
- Not tested on or approved for electric bikes

CC-125\* Cargo Caddy Bike Rack





# CARGO PRODUCTS

## Trailer Tray

Provides additional storage in the softest riding area of your trailer

Compatible with many accessories

- Positioned to provide softest ride
- Supports up to 300 lb
- 8 tie down locations spaced along the lip of tray
- Drain holes let water escape tray bottom
- Due to bent vertical post design, can mount on A frame at widths 14" to 55"
- Works best with soft, vinyl propane covers which allow access to LP tanks without removing tray

CC-255\* Trailer Tray



Scan for installation video



## Bike Bunk

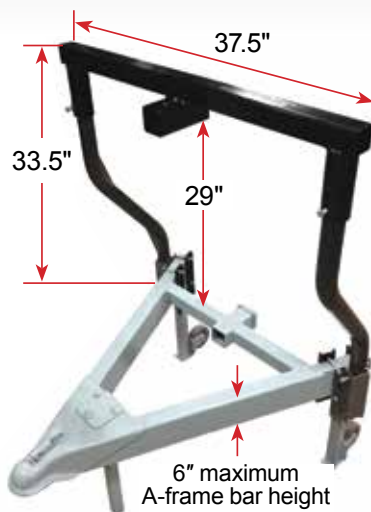
Designed for use with 2-place bike racks

- Raised receiver on A-frame
- Fits most RV approved bike racks designed for a 2" receiver
- All steel design supports up to 100 lb
- Due to bent vertical post design, can mount on A frame at widths 14" to 55"
- Works best with soft, vinyl propane covers which allow access to LP tanks without removing tray

CC-275\* Bike Bunk



Scan for installation video



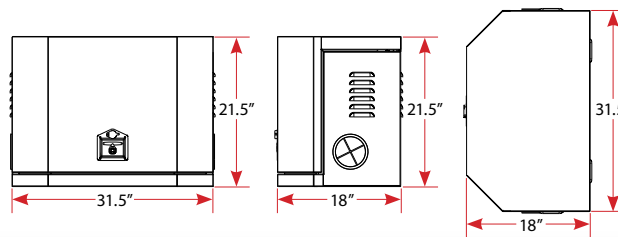
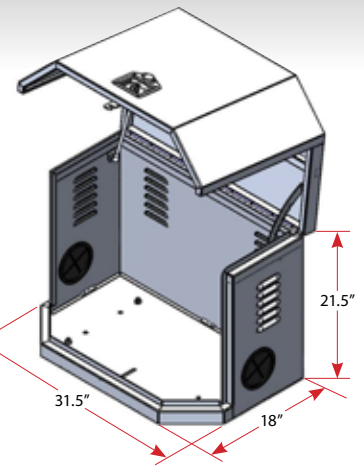
# CARGO PRODUCTS

## Gen Secure

Keeps generator and other gear secure in storage and while traveling



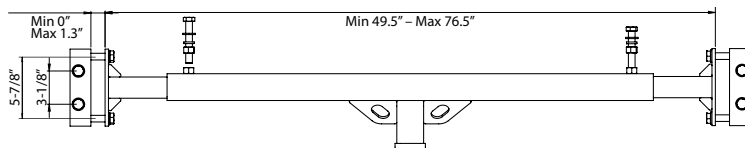
- Fits on Trailer Trays (CC-255)
- Adapter kits for A frame and 4" square bumper available January 2024
- Aluminum diamond plate won't rust
- Maximum generator dimensions:  
24" wide  
21" tall  
14-3/8" deep  
CC-200\*



## Adjustable Accessory Hitch



- 2" Hitch for Travel Trailers and Fifth Wheels
- Bolts on as Class I or welds on as Class II hitch to frame
- For use with bike racks, cargo carriers and other accessories
- Can mount to side wall of frame or horizontal wall of "C" channel or "I" Beam with angled hardware
- 77" maximum extension to flat wall frame, 80" maximum extension to horizontal surface of "C" channel or "I" Beam
- Not to be used pulling cars or boats in Class 1 configuration  
CC-300\* Adj. Accessory Hitch



## RV Bumper Receiver

Can be used with most hitch-mounted accessories

- Fits up to 4-3/8" square bumpers
- Provides 2" receiver opening
- Supports up to 200 lb (Refer to bumper rating capacity)
- Heavy steel construction and zinc-plated hardware
- CANNOT be used for towing  
BA-100\*  
RV Bumper Receiver





# RACK & RIDE. REPEAT OFTEN.

## BIKE CARRIERS



**All of our  
two bike racks  
can be used on  
Motorhomes,  
Travel Trailers  
and Fifth Wheels.**

We always recommend they be used with our Bike Bunk Model No. CC-275, but our bike racks will also work in any of our accessory hitches.

### Two Bike Platform Mount Carrier



- BC-202 fits 2" receiver
- BC-202BA fits 4" and 4-1/2" square bumpers
- Tilts down for access to vehicle
- Wheel mounts adjust to any size frame
- Tire cradle fits up to 2-1/2" wide tire
- Weight capacity 80 lb

BC-202\* Two Bike Carrier

BC-202BA\* Two Bike Carrier  
(Bumper Accessory  
Hitch included)

BC-2FT\* Fat Tire Adapter



BC-202BA



BC-202



Scan for  
installation  
video

### Four Bike Platform Mount Carrier



- Fits 2" receiver
- Tilts down for access to vehicle
- Wheel mounts adjust to any size frame
- Tire cradle fits up to 2-1/2" wide tire
- Weight capacity 160 lb

BC-204\*  
Four Bike Carrier

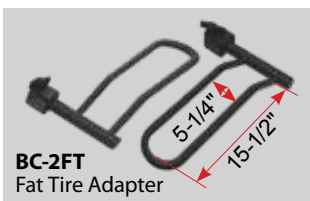
BC-2FT\*  
Fat Tire Adapter



BC-204



Scan for  
BC-204  
review  
video

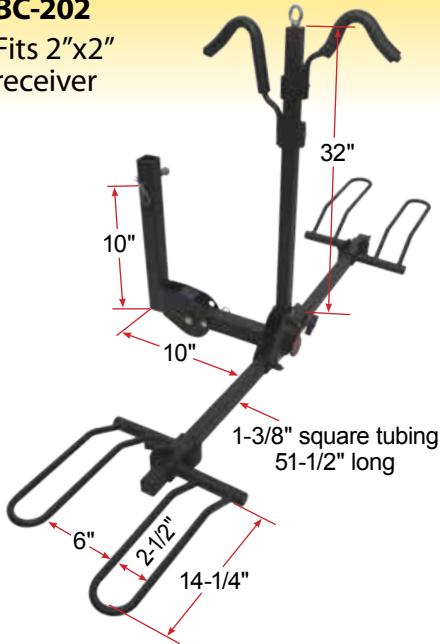


BC-2FT  
Fat Tire Adapter

# BIKE CARRIER SPECIFICATIONS

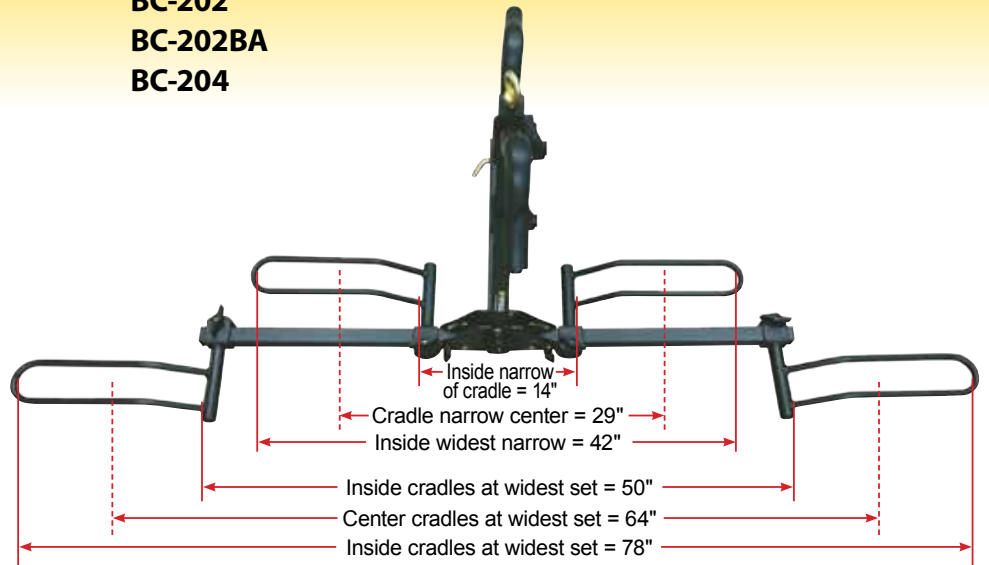
## Two Bike Platform Mount Carrier

BC-202  
Fits 2"x2" receiver



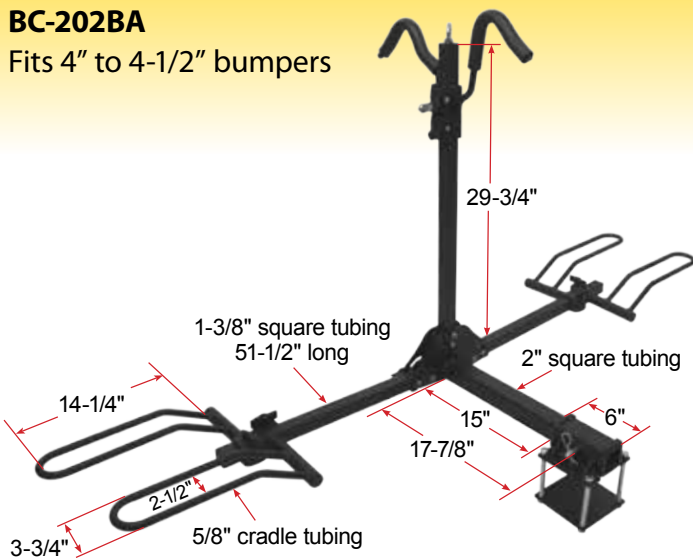
## Bike Platform Mount Carriers

BC-202  
BC-202BA  
BC-204



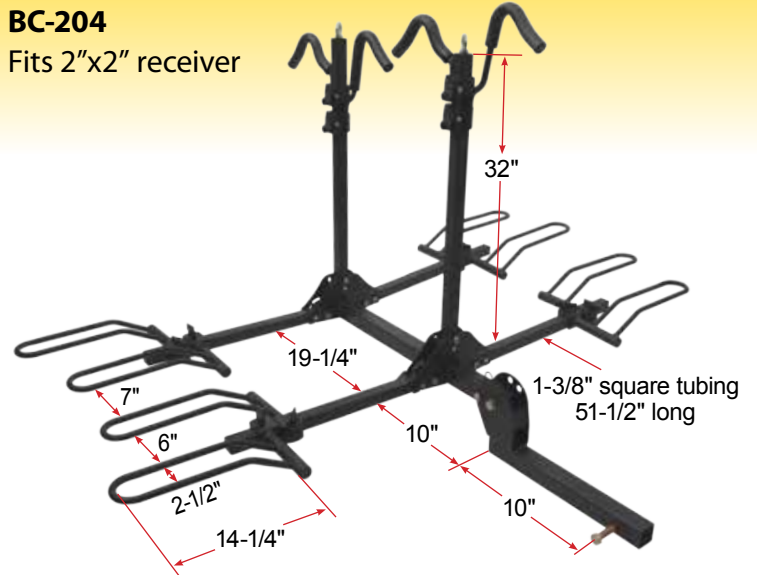
## Two Bike Platform Mount Carrier

BC-202BA  
Fits 4" to 4-1/2" bumpers



## Four Bike Platform Mount Carrier

BC-204  
Fits 2"x2" receiver





# DURABILITY YOU CAN TRUST DOWN THE ROAD.

## VENTED TAILGATES



Visit our website for the most up-to-date fits



### 100 Series Gate

Durable steel design, vented to maximize air flow



- Open design improves vision
- Custom fitted
- 100 lb weight limit
- For full size trucks only
- 1 year limited warranty
- Made in the USA

### 4000 Series Gate

Lightweight, durable glass-filled composite gate with louvers that will never rust.



- Gate improves vision, reduces drag
- Accessory louvers and privacy insert available
- Rotary latches and cables included
- Key locks gate onto truck
- Single-handed release
- 2 year limited warranty
- Made in the USA

	FORD 2020 - 2024 no current fits		GM / CHEVY 2019 - 2024 no current fits		DODGE 2019 - 2024 no current fits		TOYOTA-TUNDRA	
150 1500	1987-1996	VG-100*	1988-1998 & 1999-2000 (OB)	VGM-88-100*	1995-2001	VGD-94-101*	2007-2013 & 2014-2020**	VGT-70-4000* VGT-70-100*
	1997-2003 & 2004 (HE)	VG-97-4000* VG-97-100*	1999-2006 (CB)	VGM-99-4000* VGM-99-100*	2002-2008 & 2009**	VGD-02-4000* VGD-02-100*		
	2004** & 2005-2014	VG-04-4000* VG-04-100* **	2007-2013	VGM-07-4000* VGM-07-100*	2010-2018	VGD-10-4000* VGD-10-100*		
	2015-2019	VG-15-4000* VG-15-100*	2014-2018	VGM-14-4000* VGM-14-100*				
250 2500	1987-1997	VG-100*	1988-1998 & 1999-2000 (OB)	VGM-88-100*	1995-2002	VGD-94-101*	(HE) = Heritage Edition (LD) = Light Duty (CB) = Classic Body Style (OB) = Old Body Style ** Functional Fit Only	
	1997-1999 (LD) & 1999-2016	VG-97-4000* VG-97-100*	1999-2007 (CB)	VGM-99-4000* VGM-99-100*	2003-2009	VGD-02-4000* VGD-02-100*		
	2017-2019	VG-15-4000* VG-15-100*	2008-2013	VGM-07-4000* VGM-07-100*	2010-2018	VGD-10-4000* VGD-10-100*		
350 3500			2014-2018	VGM-14-4000* VGM-14-100*				
	1987-1997	VG-100*	1988-1998 & 1999-2000 (OB)	VGM-88-100*	1995-2002	VGD-94-101*		
	1999-2016	VG-97-4000* VG-97-100*	1999-2007 (CB)	VGM-99-4000* VGM-99-100*	2003-2009	VGD-02-4000* VGD-02-100*		
	2017-2019	VG-15-4000* VG-15-100*	2008-2013	VGM-07-4000* VGM-07-100*	2010-2018	VGD-10-4000* VGD-10-100*		
		2014-2018	VGM-14-4000* VGM-14-100*					



# DOING MORE TO GROW YOUR SALES.

## Tongue Jack Display\*\*

Available in 36" or 48" wide (48" display shown)

### KIT-TJ03

36" Display Kit includes:

- DSP-TJ03\* Display Shelf
- DSP-TJ01\* Display Sign
- DSP-SC03\* Display Sign Clips
- DSP-TJ07\* Logo decal
- DSP-SH01\* Sign Header
- DSP-SH02\* Sign Header Hardware

### PRODUCT DISPLAY SIGN

- DSP-TJ01\* | 30" x 36"
- DSP-TJ02\* | 30" x 48"

### DISPLAY SIGN CLIPS



DSP-SC03\*  
For a fast and easy installation  
and an extremely secure hold

### KIT-TJ04

48" Display Kit includes:

- DSP-TJ04\* Display Shelf
- DSP-TJ02\* Display Sign
- DSP-SC03\* Display Sign Clips
- DSP-TJ07\* Logo decal
- DSP-SH01\* Sign Header
- DSP-SH02\* Sign Header Hardware

### DISPLAY SHELF

- DSP-TJ03\* (36" Shelf)
  - DSP-TJ04\* (48" Shelf)
- Powder coated metal shelf with  
U-rings to secure product

\*\*Product not included in kit



### LOGO DECAL

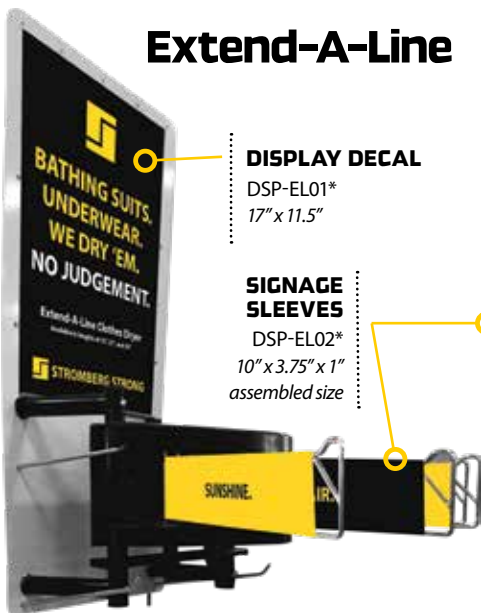
- DSP-TJ07\*  
5" x 5"



### PRODUCT BILL OF MATERIAL

- (1) JET-2500 (1) JET-3755 Black (6) JET-30
- (1) JET-3555 White (1) JET-5000

## Extend-A-Line



### DISPLAY DECAL

- DSP-EL01\*  
17" x 11.5"

### SIGNAGE SLEEVES

- DSP-EL02\*  
10" x 3.75" x 1"  
assembled size

SUNSHINE.

FRESH AIR.

COOL BREEZES.

WHO NEEDS A DRYER?

THERE'S MOTHER NATURE.

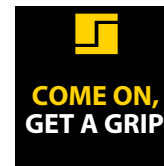
AND STROMBERG.

## Shelf Talkers

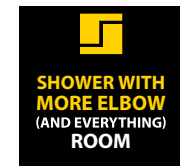
3" x 3" each



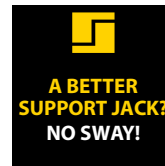
**CARGO CADDY  
SHELF TALKER**  
DSP-ST01\*



**LEND-A-HAND  
SHELF TALKER**  
DSP-ST02\*



**EXTEND-A-SHOWER  
SHELF TALKER**  
DSP-ST05\*



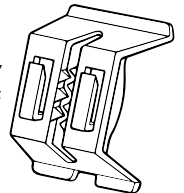
**TONGUE JACK  
SHELF TALKER**  
DSP-ST04\*



**STEP STOOL  
SHELF TALKER**  
DSP-ST03\*

### SHELF TALKER HOLDER

DSP-ST06\*  
Clips securely  
hold all types  
of signs in  
flag position





# DEALER POINT-OF-SALE DISPLAYS

## Lend-A-Hand and Platform Steps Display\*\*

DISP-AC530L

**SIGN  
HEADER**  
DSP-LH02\*  
36" x 8"

**RAIL  
DISPLAY**  
DISP-AMRAILS



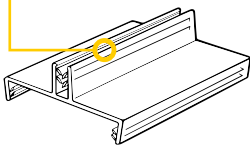
### PRODUCT BILL OF MATERIAL

- |                   |                                     |                         |                            |
|-------------------|-------------------------------------|-------------------------|----------------------------|
| (3) AM-800 Black  | (4) AM-ZIP39C Zip Grip              | (2) AH-100 Handle White | (4) FP-1002-R AM Foam Wrap |
| (3) AM-200 White  | (3) PA-150 Platform Step            | (2) AH-150 Handle Black | (3) AM-250 Mini White      |
| (2) AM-300 Silver | (3) PA-275 Adjustable Platform Step | (6) AM-01 Dura Grip     | (3) AM-255 Mini Black      |

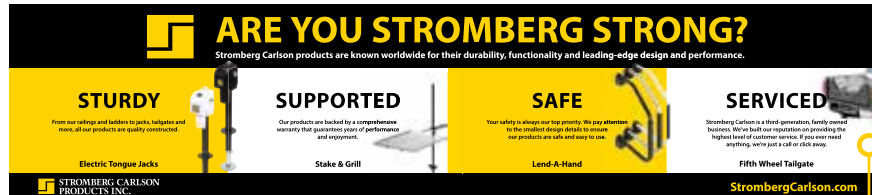
## Sign Header

### SIGN HEADER HARDWARE

DSP-SH02\*  
Clear PVC grips signs  
securely and are easy  
to relocate



### FRONT



### BACK



**SIGN  
HEADER**  
DSP-SH01\*  
8" x 36"

\*\*Product not included

# A SMARTER POINT-OF-SALE SYSTEM

## Leveling & Stabilizing Displays\*\*



### PRODUCT BILL OF MATERIAL

- (2) JBP-T217.1 T-Chocks, single pack
- (4) JBP-T217.2 T Chocks, 2 packs
- (2) JBP-C300 Base Pad Leveler, single pack
- (4) JBP-C302 Base Pad Levelers, 2 packs
- (12) JBP-712.1 Base Pad Extremes
- (6) JBP-813.1 Base Pad Peak
- (1 set of 6) JBP-S9.6 Base Pad Shoe, 9"
- (2 sets of 3) JBP-S10.3 Base Pad Shoe, 10", 3 packs
- (6) JBP-1214.2 Base Pad, 12"x14"x2"
- (6 sets of 2) JBP-1214.1 Base Pad, 12"x14"x1", 2 packs
- (6 sets of 2) JBP-1011.1 Base Pad, 10"x11"x1", 2 packs
- (4 sets of 4) JBP-69.625 Base Pad, 6"x9"x.625", 4 packs
- (6) JBP-C256 Trucker Style Wheel Chock
- (1 Kit) JBP-TTKIT Travel Trailer Stabilizing & Leveling Kit
- (1 Kit) JBP-FWKIT Fifth Wheel Stabilizing & Leveling Kit



### PRODUCT BILL OF MATERIAL

- (2) JBP-T217.1 T-Chocks, single pack
- (2-3) JBP-T217.2 T Chocks, 2 packs
- (2) JBP-C300 Base Pad Leveler, single pack
- (2) JBP-C302 Base Pad Levelers, 2 packs
- (6 sets of 2) JBP-1214.1 Base Pad, 12"x14"x1", 2 packs
- (6) JBP-1214.2 Base Pad, 12"x14"x2"
- (6 sets of 2) JBP-1011.1 Base Pad, 10"x11"x1", 2 packs
- (6 sets of 4) JBP-69.625 Base Pad, 6"x9"x.625", 4 packs
- (6) JBP-C256 Trucker Style Wheel Chock
- (1-2 Kit) JBP-TTKIT Travel Trailer Stabilizing & Leveling Kit
- (1-2 Kit) JBP-FWKIT Fifth Wheel Stabilizing & Leveling Kit

\*\*Product not included

### TRAVEL TRAILER STABILIZING & LEVELING KIT

- 1 Base Pad Peak
- 1 Base Pads (4 Pack) (6" x 9" x .625")
- 2 Wheel Chocks
- 2 Base Pad Levelers (includes chocks and anti-slip mats)
- 1 Storage Bag



### FIFTH WHEEL STABILIZING & LEVELING KIT

- 4 Base Pad Extreme
- 4 Wheel Chocks
- 1 Storage Bag





# DEALER POINT-OF-SALE DISPLAYS



## Hose Caddy Display\*\*

DISP-HC75-2UP\*

**PRODUCT BILL OF MATERIAL**  
(12) HC-75 Hose Caddy

\*\*Product not included



**PRODUCT DISPLAY SIGN**  
DSP-HC1\*  
17" x 14"

## Stake & Grill Display\*\*

**PRODUCT DISPLAY SIGN**  
DSP-GR01\*  
8.5" x 11"



**PRODUCT BILL OF MATERIAL**  
(1) GR-1522 Stake & Grill



**DISPLAY SIGN CLIPS**  
DSP-GR02\*  
Nylon adhesive back ratchet clip, adjustable cable clamp

**DISPLAY STAND**  
DISP-GR1522\*  
20" x 14" x 4"

## Small Display Sign

DSP-JBP813 24" x 12", 2 sided



Side 1



Side 2

## Small Display Sign

DSP-JBP712 24" x 12", 2 sided



Side 1



Side 2

## Large Display Sign DSP-JBP2021 44" x 12", 2 sided



Side 1



Side 2

## Large Display Sign DSP-JBP2023 44" x 12", 2 sided



Side 1



Side 2

**NEW PRODUCTS**

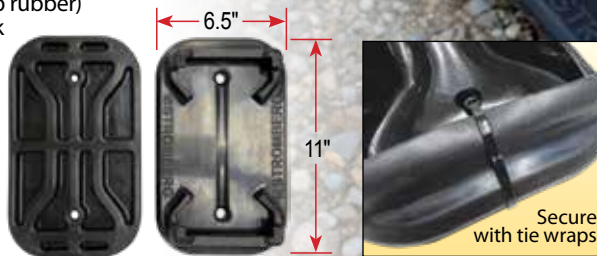
**Base Pad  
Scissor  
Jack Shoe**

**Jack pads that stay attached!**

**Increases contact over 130%**

**Fits all 5000 lb to 9000 lb bow tie scissor jacks**

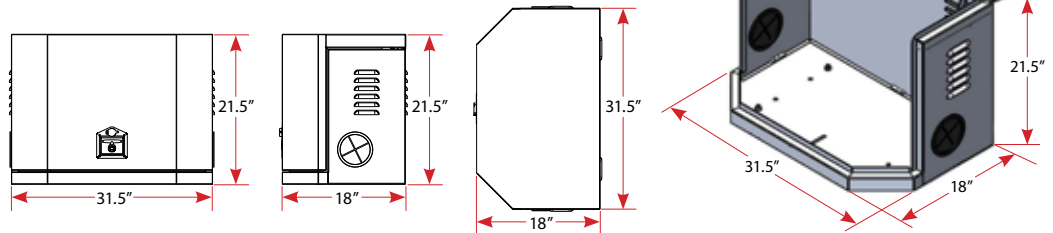
- Adapter for 2500 lb (8" x 4-3/8") jacks coming soon
  - Added traction on ground or block
  - Molded EPDM rubber (not crumb rubber) will not split, shred, crack or break
  - Adapter for 2500 lb (8" x 4-3/8") jacks coming soon
  - Insulates base from elements
  - Tie wraps ensure installation and security
  - Made in the USA
- JBP-SJSC.2\* 2 Pack



**Gen Secure**

**Keeps generator and other gear  
secure in storage and while traveling**

- Fits on Trailer Trays (CC-255)
- Adapter kits for A frame and 4" square bumper available January 2024
- Aluminum diamond plate won't rust
- Maximum generator dimensions:  
24" wide  
21" tall  
14-3/8" deep  
CC-200\*



**2024 PRODUCT CATALOG**

**WWW.STROMBERGCARLSON.COM**

**WARNING:** Cancer and Reproductive Harm – www.P65Warnings.ca.gov

\*While none of our products directly represent a risk of cancer or birth defect, many fasteners and finishes could if oral contact occurs.

