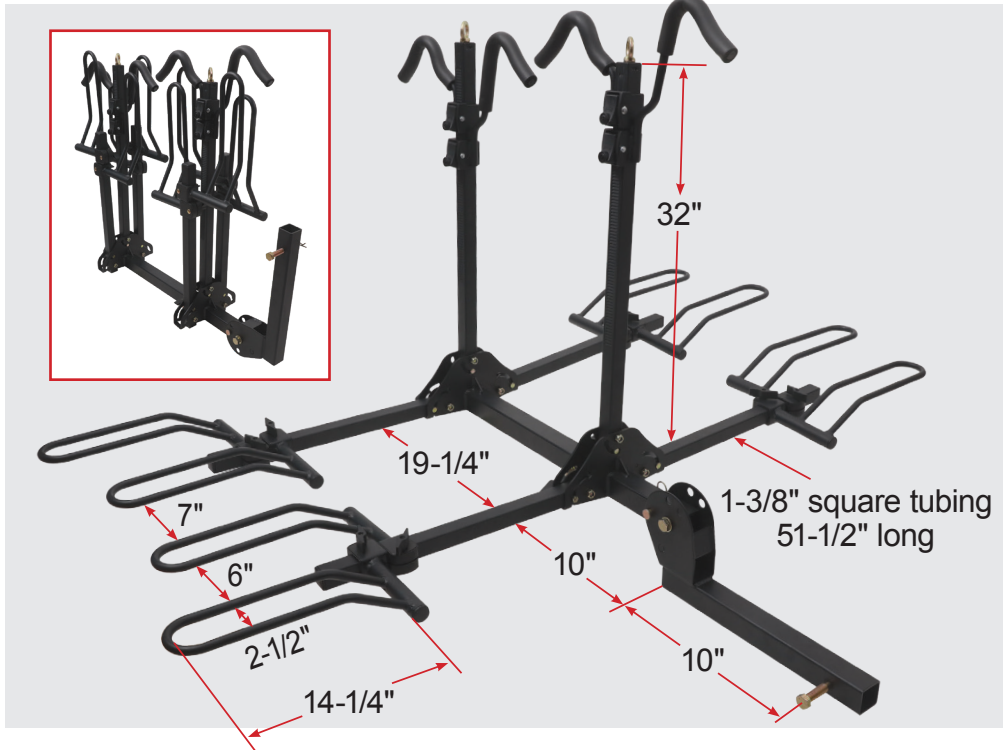


# INSTALLATION INSTRUCTIONS

## Four Bike Platform Mount Carrier

BC-204



### Four Bike Platform Mount Carrier

Model: BC-204

- Fits 2" receiver
- Tilts down for access to vehicle
- Wheel mounts adjust to any size frame
- Tire cradle fits up to 2-1/2" wide tire (BC-2FT Fat Tire Adaptor available)
- Weight capacity 160 lb

### Tools Needed

- (1) 17mm Open Wrench
- (1) 19mm Open Wrench
- (1) 24mm Open Wrench

**NOT TESTED ON OR APPROVED FOR E-BIKES**

## Assembly Instructions

### STEP 1

Assemble the primary frame by connecting the Short Support Base Assembly (part #1) and (2) Horizontal Arms (part #2), using (2) 5/16" knob, (4) 5/16" flat washer, (2) 5/16" spring washer, (2) 5/16" hexagon bolt, (2) M10 Carriage bolts and (2) M10 Locknuts (parts #3, #4, #5, #6, #27 and #28). (See **Figure 1**)

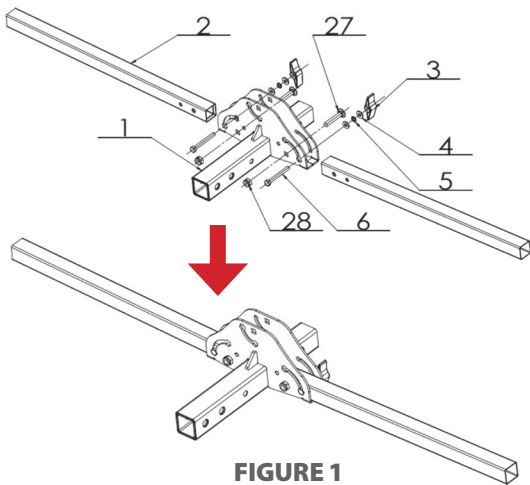


FIGURE 1

### STEP 2

Place Vertical Arm (part #7) into the Short Support Base Assembly by using M10 Carriage Bolt and M10 Locknut (parts #27 and #28). With the Vertical Tube in a vertical position, insert the 5/16" hexagon bolt (part #6), through the 5/16" flat washer (part #4), the 5/16" spring washer (part #5) and the 5/16" flat washer (part #4), tighten with 5/16" knob (part #3). (See **Figure 2**)

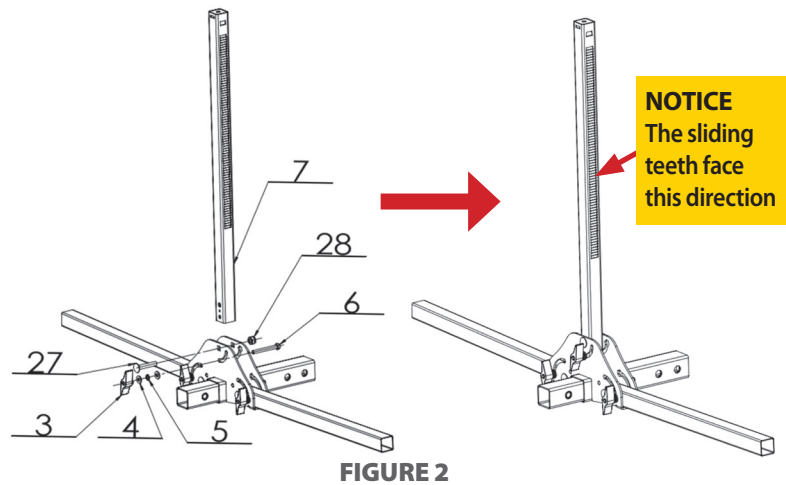


FIGURE 2

INS-BC204-C 10.27.2022

## STEP 3

Attach Folding Shank (part #8) to Short Support Base Assembly tube, using M16 Bolt and M16 Locknut (parts #9 and #12) and using 5/8" Pin and Clip (parts #10 and #11) for extra safety. (See **Figure 3**)

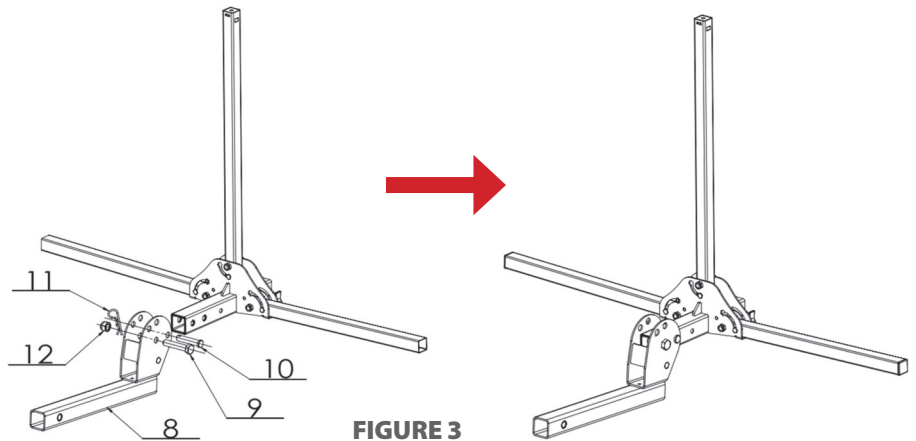


FIGURE 3

## STEP 4

Assemble the extension frame. Repeat step 1, connecting Long Support Base Assembly (part #13) and (2) Horizontal Arms (part #2) by using (2) L-Pins, (2) M10 Carriage Bolts, (2) M10 Flat Washers and (2) M10 Locknuts (parts #3, #4, #5 and #6). See (**Figure 4**)

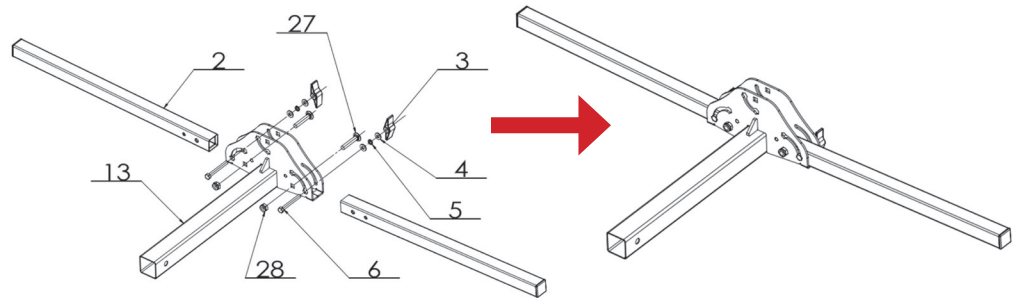


FIGURE 4

## STEP 5

Repeat step 2, placing Vertical Arm (part #7) on the Long Support Base, using 5/16" knob, (2) 5/16" flat washer, 5/16" spring washer, 5/16" hexagon bolt, M10 Carriage Bolt and M10 Locknut (parts #3, #4, #5, #6, #27 and #28). (See **Figure 5**)

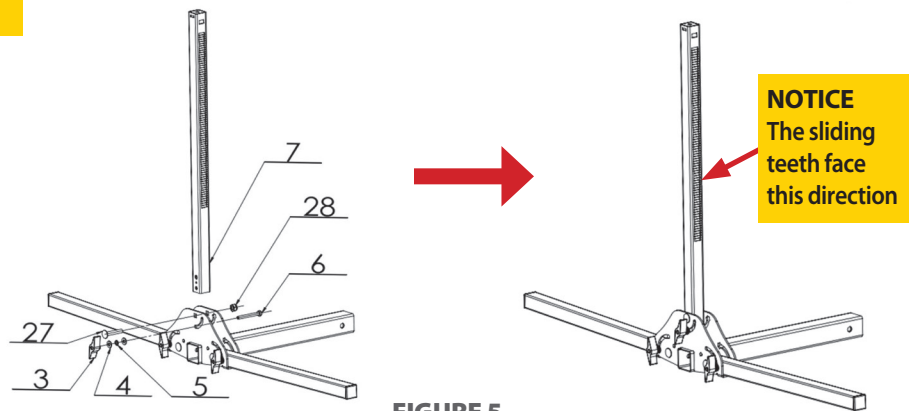


FIGURE 5

## STEP 6

Insert the Long Support Base (part #1) into the Short Support Base (part #13), controlling the height by inserting the Short Stabilizing Pin, 1/2" Flat Washer and 1/2" Spring Washer (parts #14, #15 and #16). Insert Clip (part #11). (See **Figure 6**)

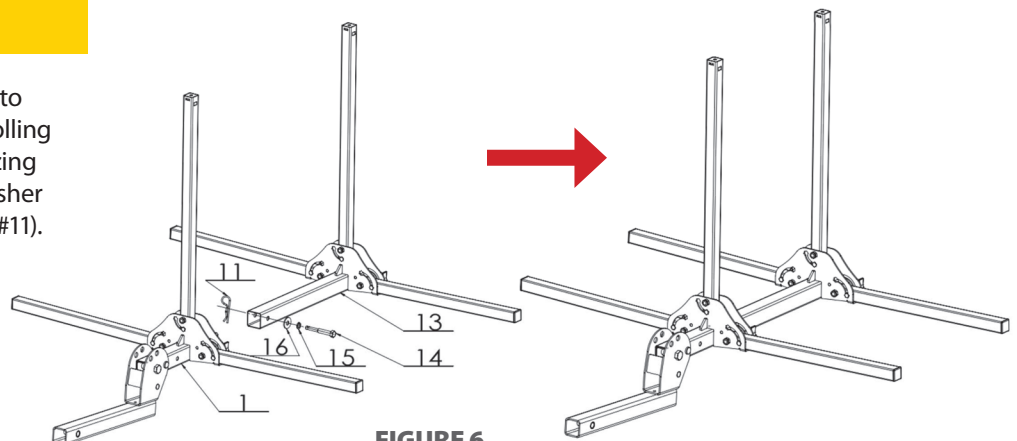


FIGURE 6

## STEP 7

Slide the Left and Right Cradle Assemblies (parts #17 and #18) onto the Horizontal Arms. Release the knob of the left and right cradle. The knob should be facing up and the loop end of cradle should be facing outward and upward. Insert the cradles in sequence as shown below in **Figure 7**. After all 4 cradles are on the Horizontal Arms, tighten. (See **Figure 7**)

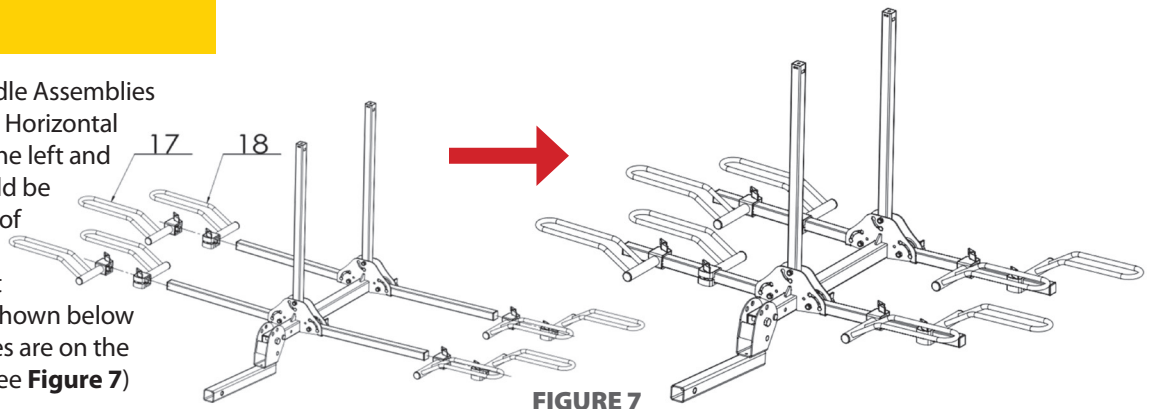


FIGURE 7

## STEP 8

Install the (2) Long J-Hook Assemblies (part #19) and (2) Short J-Hook Assemblies (part #20) onto the Vertical Arm, then tighten the (2) Eyebolts (part #21). Put the Reflector (part #22) in the hole of the square tube. (See **Figure 8**)

**NOTE: Eyebolt provided for use with customer provided bike cable and lock, to prevent bicycle loss.**

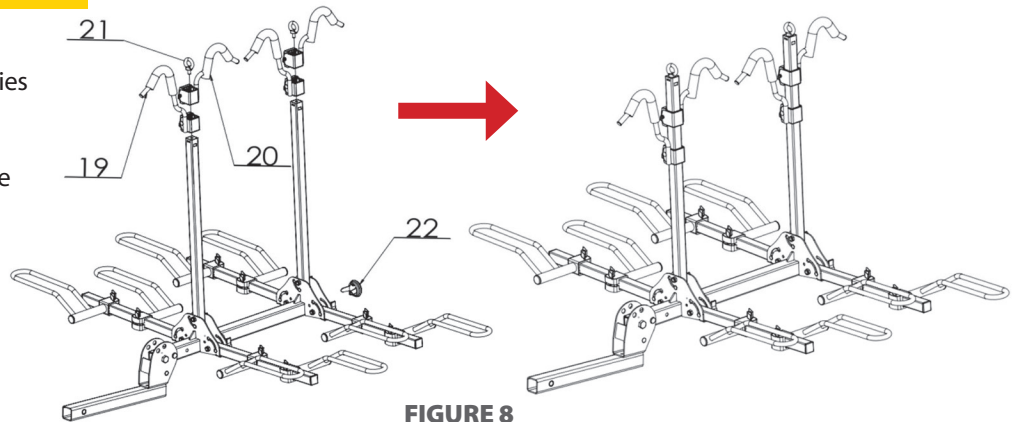


FIGURE 8

## STEP 9

Insert the Folding Shank into the 2" receiver hitch, using the Long Stabilizing Pin, 16 Flat Washer, 16 Spring Washer and Clip (parts #23, #24, #25 and #11) to secure. (See **Figure 9**)

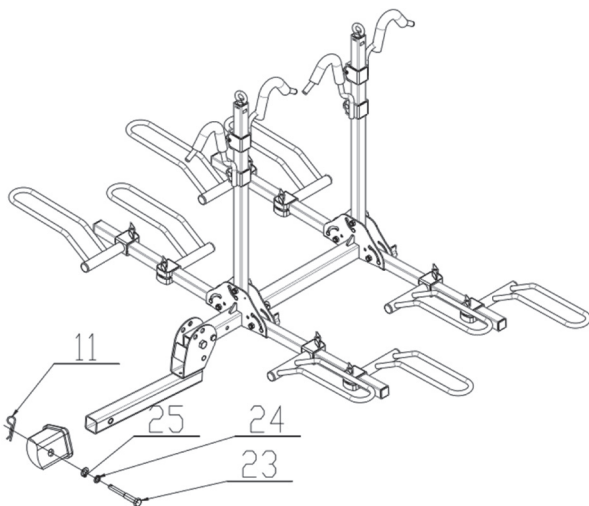


FIGURE 9

## Mounting Bikes

The wheel cradles and J-Hooks are completely adjustable and slide on the tubes.

## STEP 10

Load inner bicycle first. Loosen the 5/16" knob and expose the head of the 5/16" hexagon bolt outside the support base assembly, then rotate vertical tube down. (See **Figure 10**)

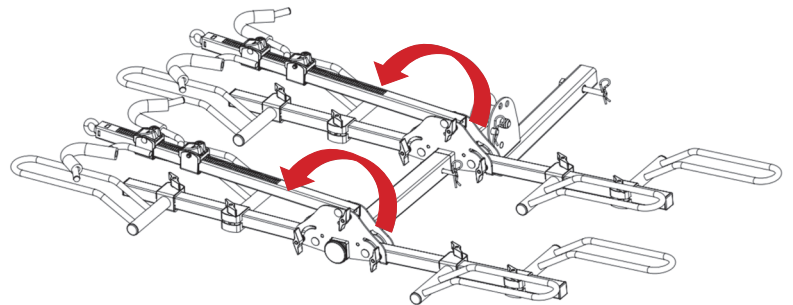


FIGURE 10

## STEP 11

Load bicycle into Wheel Cradles. Adjust cradles to appropriate position. Ensure tire is well supported at both ends of Wheel Cradles. Tighten cradles to prevent movement. (See Figure 11)

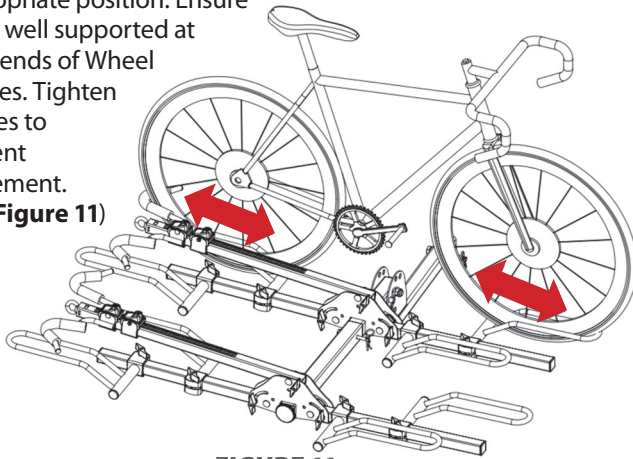


FIGURE 11

## STEP 12

Rotate vertical tube to vertical position and lock with the 5/16" knob. Lower J-Hook assembly down over bicycle frame. (See Figure 12)

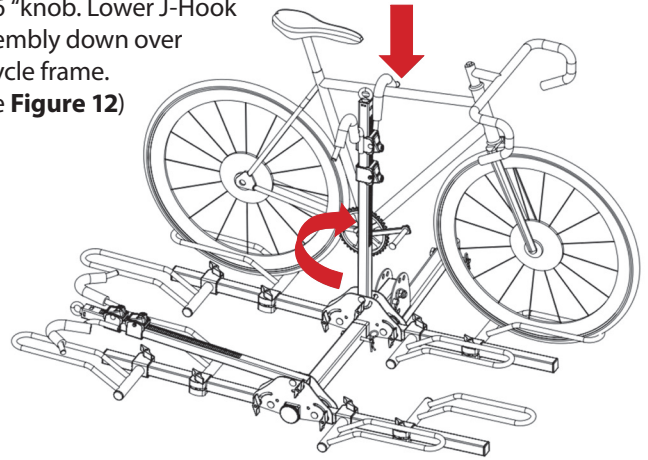


FIGURE 12

## STEP 13

Loop (1) Wheel Cradle Strap (part #25) over each wheel and secure. (See Figure 13)

**WARNING – Failure to use wheel cradle straps may result in bike falling off rack during use.**

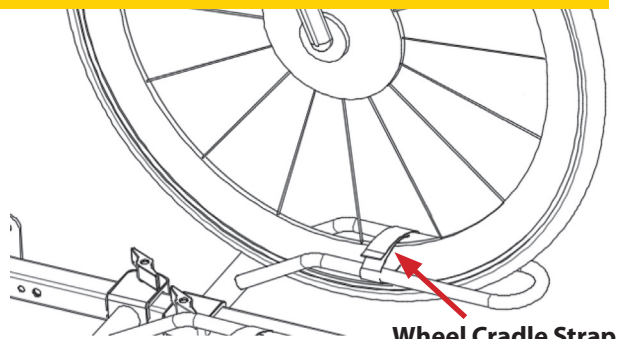


FIGURE 13

## STEP 14

Load second/third/forth bicycle as described in Bicycle Mounting steps 2 thru 5. Reverse direction of second/third/forth bicycle to prevent handle bar interference. (See Figure 14)

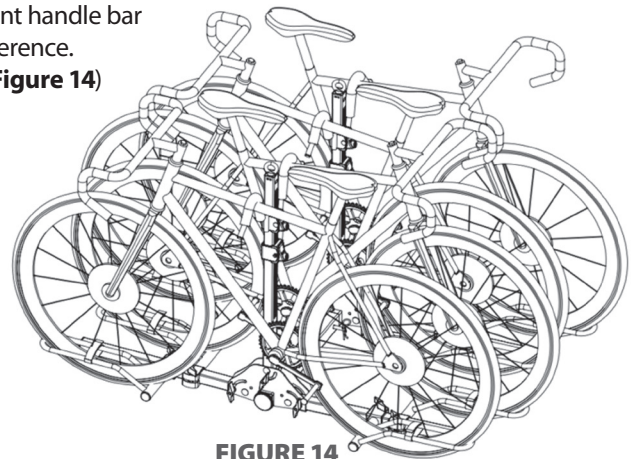


FIGURE 14

## TILT DOWN FEATURE

**Do not place bikes on the wheel cradle when operating the tilt down feature.** For access to the rear of vehicle, remove 5/8" pin and allow the rack to tilt downward. For safety, be sure to securely hold the bike rack while the pin is out. (See Figure 15)

**WARNING – DO NOT attempt to pull out the main locking pin or back-up locking pin while there are bikes mounted to the carrier.**

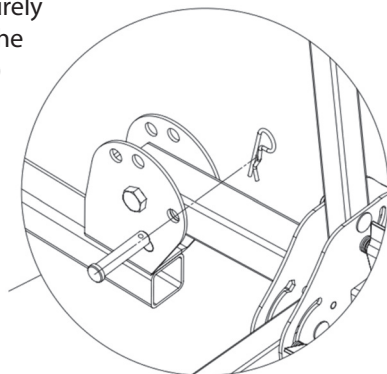


FIGURE 15

## STORAGE FEATURE

Loosen the 5/16" knob, rotate the support tube to the vertical states, and then tighten the 5/16" knob. (See Figure 16)

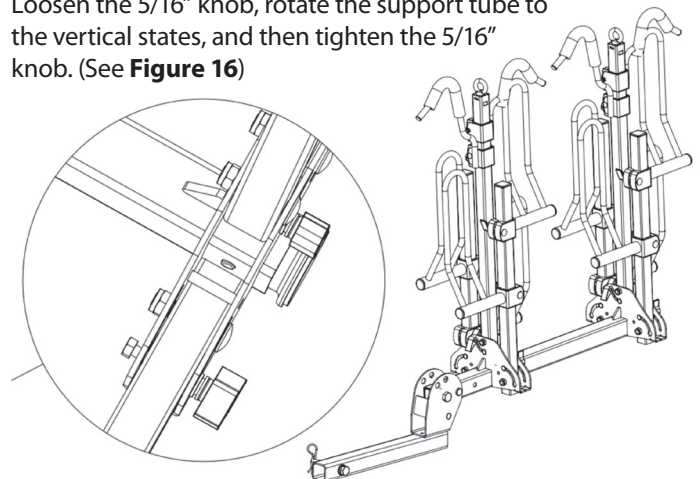


FIGURE 16

## FOLDED WHEN NOT IN USE FEATURE

Fold Vertical Arm to the horizontal position, and then fold the Folding Shank Assembly to the vertical position. (See Figure 17)

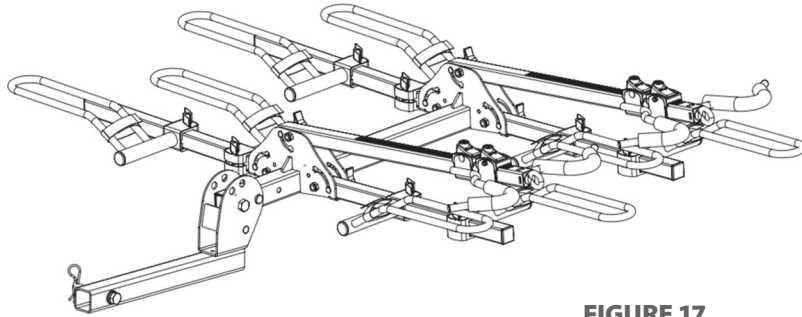
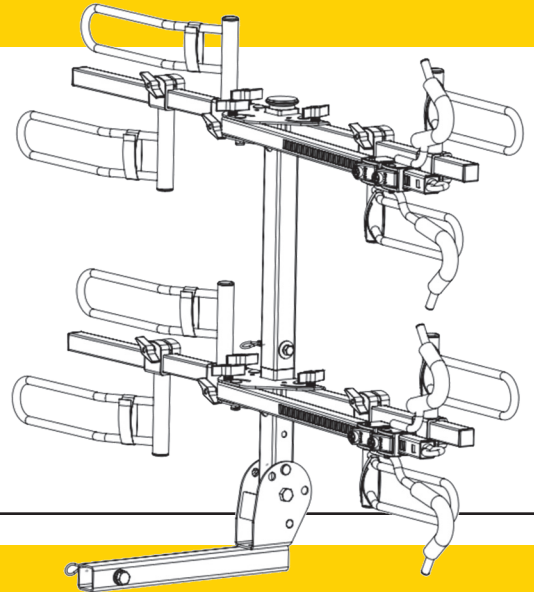
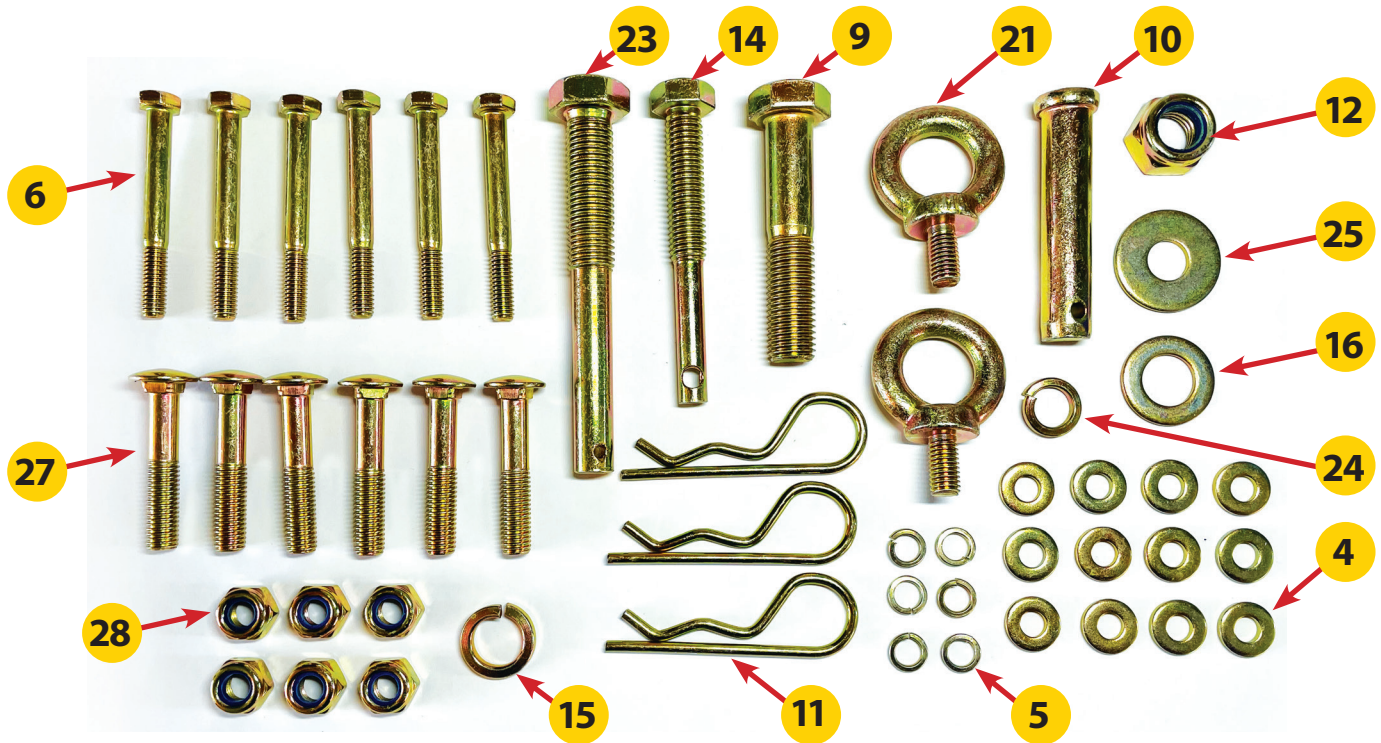


FIGURE 17

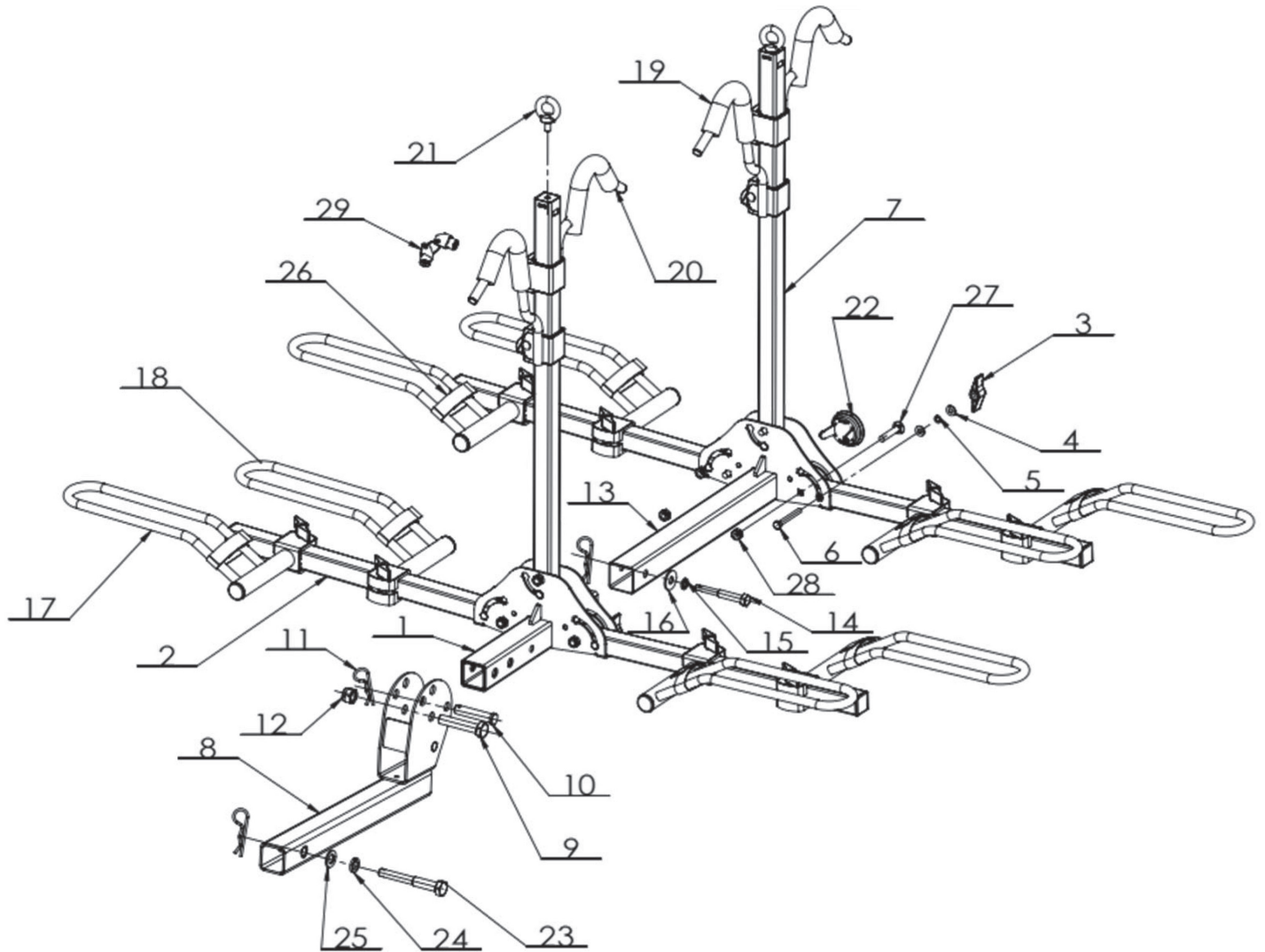


## HARDWARE KIT



PART #	DESCRIPTION	QTY	PART #	DESCRIPTION	QTY	PART #	DESCRIPTION	QTY
1	Short Support Base Assembly	1	11	Clip	3	21	Eyebolt	2
2	Horizontal Arm	4	12	M16 Locknut	1	22	Reflector	1
3	5/16" Knob	6	13	Long Support Base Assembly	1	23	Long Stabilizing Pin	1
4	5/16" Flat Washer	12	14	Short Stabilizing Pin	1	24	16 Spring Washer	1
5	5/16" Spring Washer	6	15	1/2" Spring Washer	1	25	16 Flat Washer	1
6	5/16" Hexagon Bolt	6	16	1/2" Flat Washer	1	26	Wheel Cradle Strap	8
7	Vertical Arm	2	17	Left Cradle Assembly	4	27	M10 Carriage Bolt	6
8	Folding Shank	1	18	Right Cradle Assembly	4	28	M10 Locknut	6
9	M16 Bolt	1	19	Long J-Hook Assembly	2	29	Circular Key	1
10	5/8" Pin	1	20	Short J-Hook Assembly	2			

## ASSEMBLY DIAGRAM



PART #	DESCRIPTION	QTY	PART #	DESCRIPTION	QTY	PART #	DESCRIPTION	QTY
1	Short Support Base Assembly	1	13	Long Support Base Assembly	1	25	16 Flat Washer	1
2	Horizontal Arm	4	14	Short Stabilizing Pin	1	26	Wheel Cradle Strap	8
3	5/16" Knob	6	15	1/2" Spring Washer	1	27	M10 Carriage Bolt	6
4	5/16" Flat Washer	12	16	1/2" Flat Washer	1	28	M10 Locknut	6
5	5/16" Spring Washer	6	17	Left Cradle Assembly	4	29	Circular Key	1
6	5/16" Hexagon Bolt	6	18	Right Cradle Assembly	4			
7	Vertical Arm	2	19	Long J-Hook Assembly	2			
8	Folding Shank	1	20	Short J-Hook Assembly	2			
9	M16 Bolt	1	21	Eyebolt	2			
10	5/8" Pin	1	22	Reflector	1			
11	Clip	3	23	Long Stabilizing Pin	1			
12	M16 Locknut	1	24	16 Spring Washer	1			

