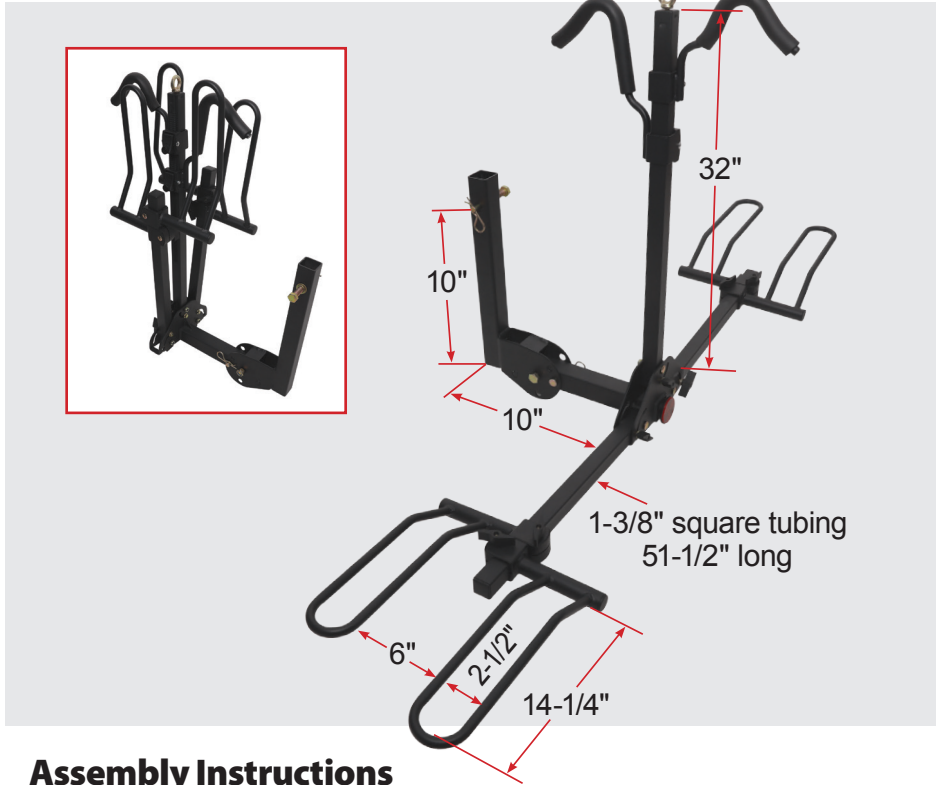


INSTALLATION INSTRUCTIONS

Two Bike Platform Mount Carrier

BC-202



Two Bike Platform Mount Carrier

Model: BC-202

- Fits 2" receiver
- Tilts down for access to vehicle
- Wheel mounts adjust to any size frame
- Tire cradle fits up to 2-1/2" wide tire (BC-2FT Fat Tire Adaptor available)
- Weight capacity 80 lb

Tools Needed

- (1) 17mm Open Wrench
- (1) 24mm Open Wrench

NOT TESTED ON OR APPROVED FOR E-BIKES

Assembly Instructions

STEP 1

Assemble the primary frame by connecting the Support Base Assembly (part #1) and (2) Horizontal Tubes (part #2) using (2) 5/16" knobs, (4) 5/16" flat washers, (2) 5/16" spring washers, (2) 5/16" hexagon bolts, (2) M10 Carriage bolts and (2) M10 Locknuts (parts #3, #4, #5, #6, #23 and #24). (See **Figure 1**)

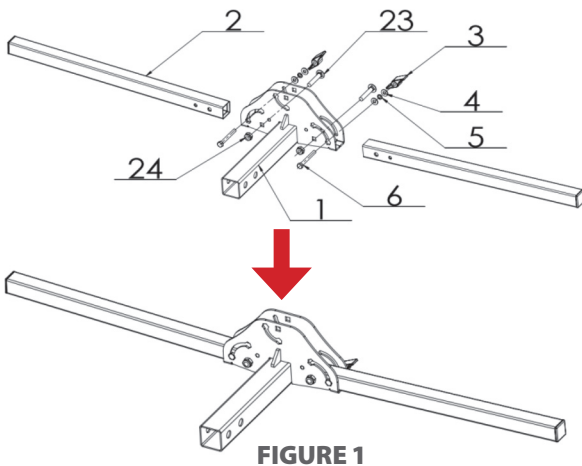


FIGURE 1

STEP 2

Place Vertical Tube (part #7) into the Support Base Assembly by using M10 Carriage Bolt and M10 Locknut (parts #23 and #24). With the Vertical Tube in a vertical position, insert the 5/16" hexagon bolt (part #6), through the 5/16" flat washer (part #4), the 5/16" spring washer (part #5) and the 5/16" flat washer (part #4), tighten with 5/16" knob (part #3). (See **Figure 2**)

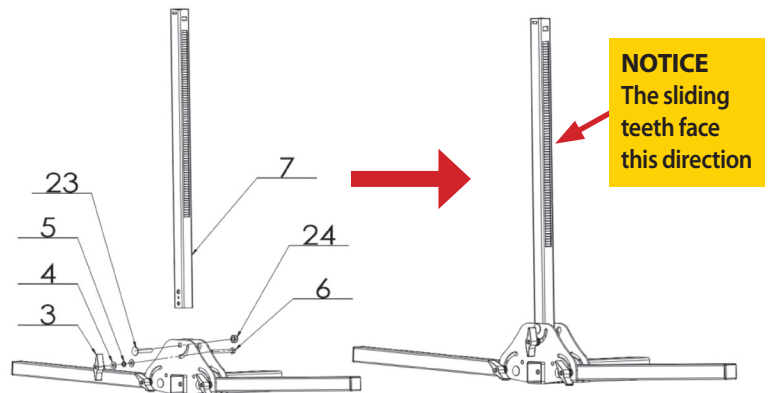


FIGURE 2

INS-BC202-C 10.18.2022

STEP 3

Attach Folding Shank (part #8) to Support Base Assembly tube, using M16 Bolt, M16 Locknut, 5/8" pin and Clip (parts #9, #12, #10 and #11) for added safety. (See **Figure 3**)

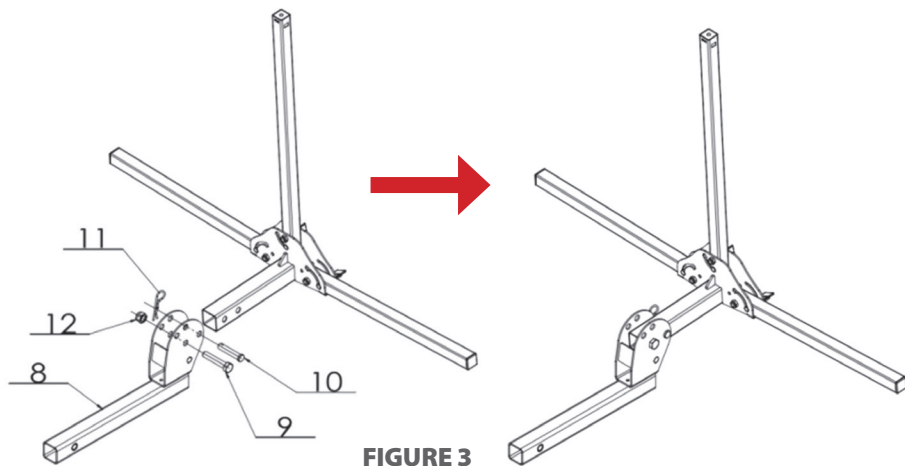


FIGURE 3

STEP 4

Slide the Left and Right Cradle Assemblies (parts #13 and #14) onto Horizontal Tubes. Release the knob of the left and right cradle. The knob should be facing up and the loop end of cradle should be facing outward and upward. Insert the cradles in sequence as shown in **Figure 4**. After all 4 cradles are on the Horizontal Tubes, tighten. (See **Figure 4**)

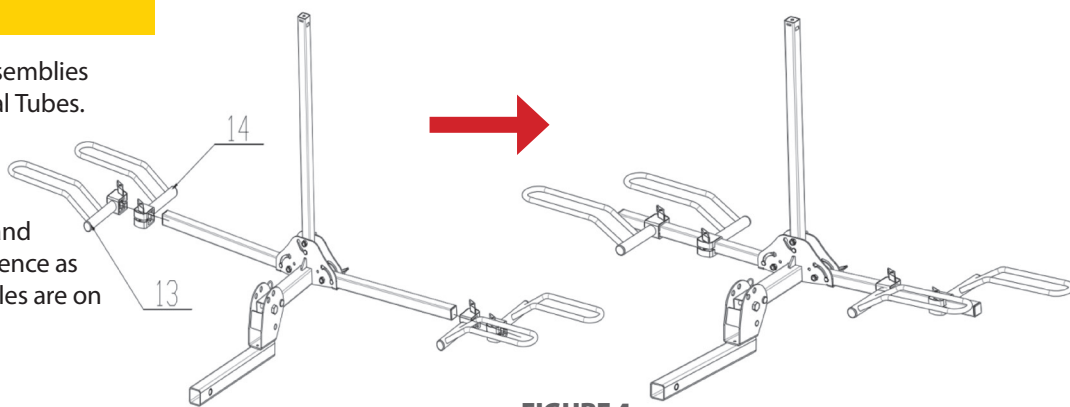


FIGURE 4

STEP 5

Install the Long J-Hook Assembly (part #15) and Short J-Hook Assembly (part #16) onto the Vertical Tube, then tighten the Eyebolt (part #20). Insert the Reflector (part #21) into the hole of the square tube. (See **Figure 5**)

NOTE: Eyebolt provided for use with customer provided bike cable and lock, to prevent bicycle loss.

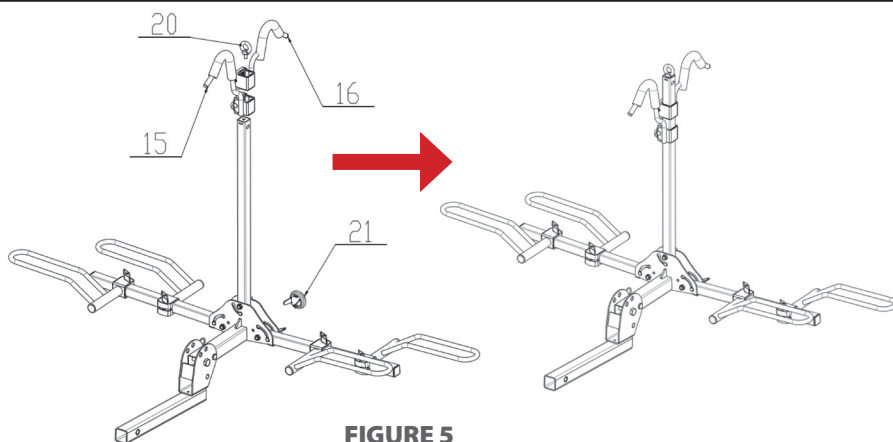


FIGURE 5

STEP 6

Insert Folding Shank into 2" receiver, using Stabilizing Pin, 16 Spring Washer, 16 Flat Washer, and Clip (parts #17, #18, #19 and #11) to secure. (See **Figure 6**)

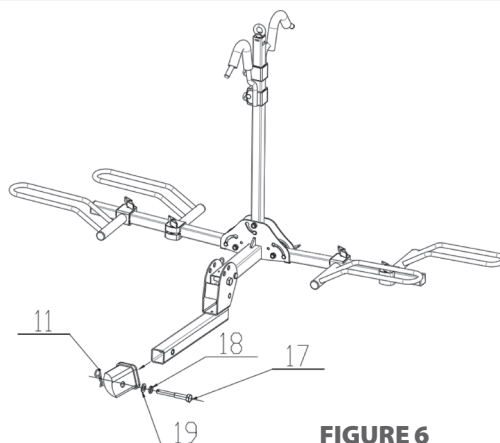


FIGURE 6

Mounting Bikes

The wheel cradles and J-Hooks are completely adjustable and slide on the tubes.

STEP 7

Loosen the 5/16" knob and expose the head of the 5/16" hexagon bolt outside the support base assembly, then rotate vertical tube down. (See **Figure 7**)

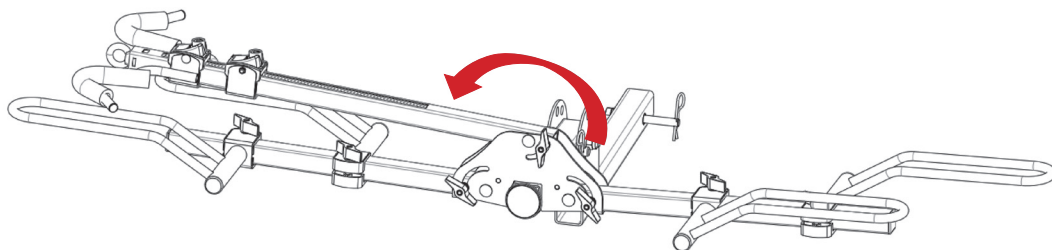


FIGURE 7

STEP 8

Load bicycle into Wheel Cradles. Adjust cradles to appropriate position. Ensure tire is well supported at both ends of Wheel Cradles. Tighten cradles to prevent movement. (See **Figure 8**)

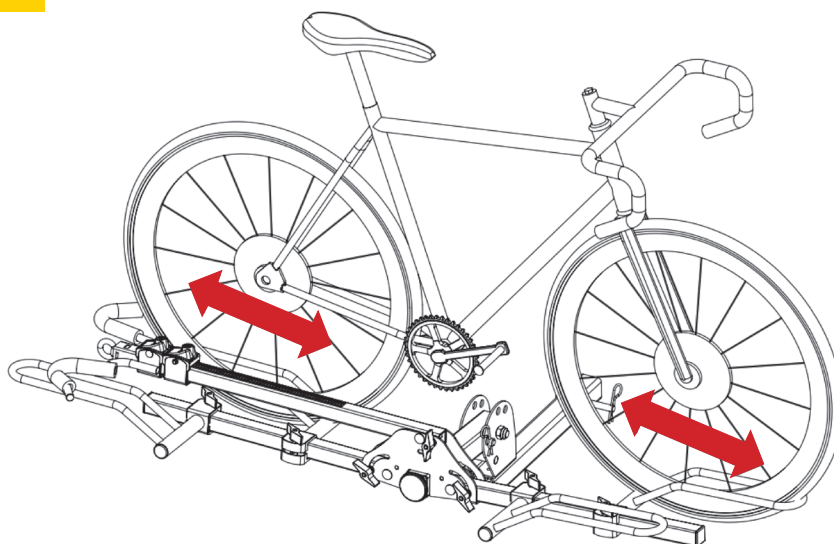


FIGURE 8

STEP 9

Rotate Vertical Tube to vertical position; lock with the 5/16" knob. Lower J-Hook Assemblies down over bicycle frame. (See **Figure 9**)

Apply downward pressure to bicycle and J-Hook Assemblies. Tighten J-Hook Assemblies and ensure there is no movement of bicycle.

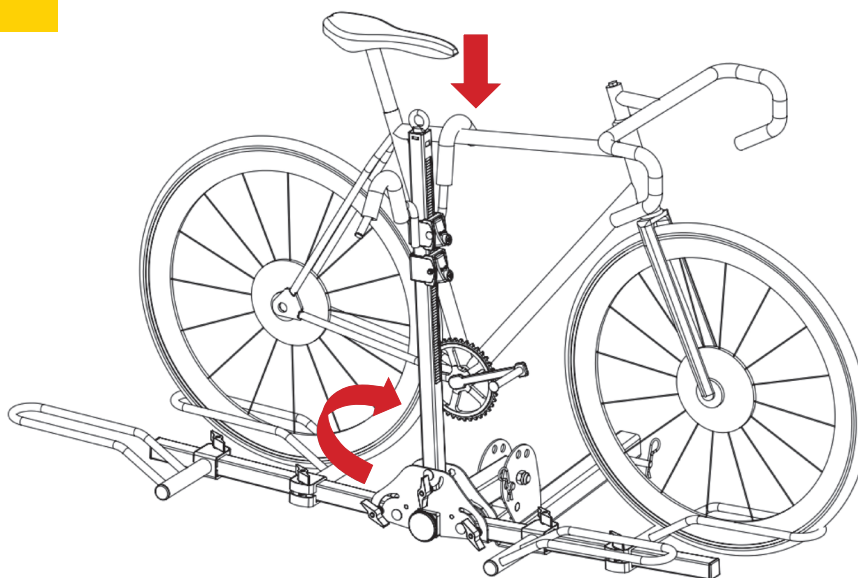


FIGURE 9

STEP 10

Loop (1) Wheel Cradle Strap over each wheel and secure. (See **Figure 10**)

WARNING – Failure to use wheel cradle straps may result in bike falling off rack during use.

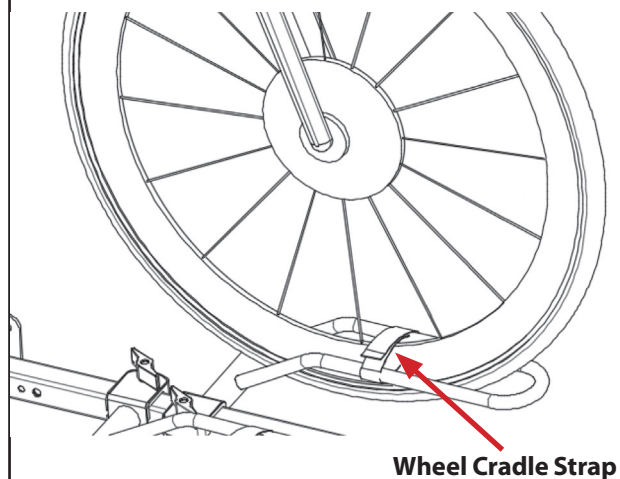


FIGURE 10

STEP 11

Load second bicycle as describe in Bicycle Mounting steps 2 through 5. Reverse direction of second bicycle to prevent handle bar interference. (See **Figure 11**)

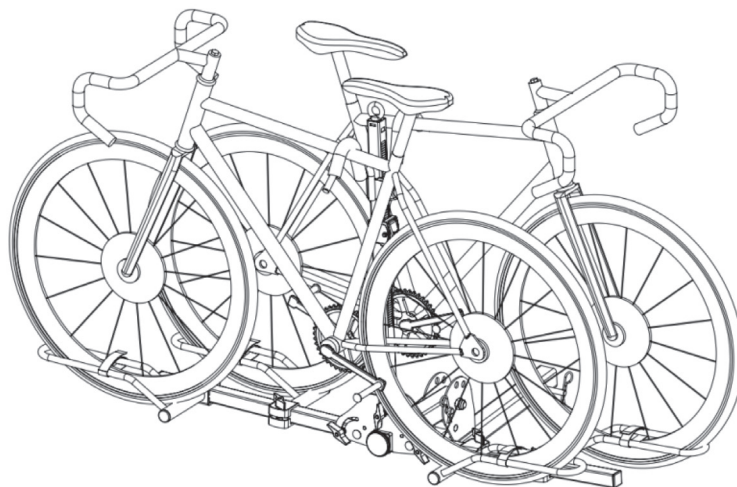


FIGURE 11

TILT DOWN FEATURE

Do not place bikes on the wheel cradle when operating the tilt down feature. For access to the rear of vehicle, remove 5/8" pin and allow the rack to tilt downward. For safety, be sure to securely hold the bike rack while the pin is out. (See **Figure 12**)

WARNING – DO NOT attempt to pull out the main locking pin or back-up locking pin while there are bikes mounted to the carrier.

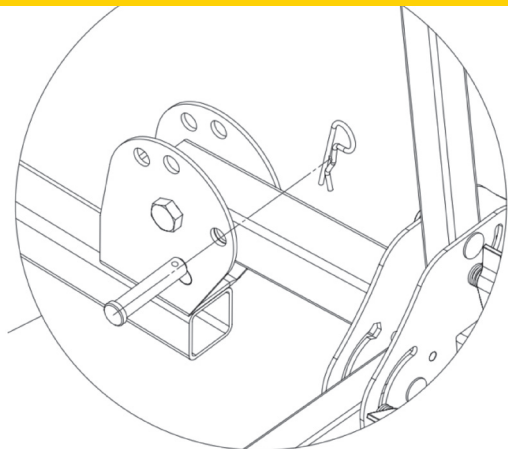


FIGURE 12

STORAGE FEATURE

Loosen the 5/16" knob, rotate the support tube to the vertical states, and then tighten the 5/16" knob. (See **Figure 13**)

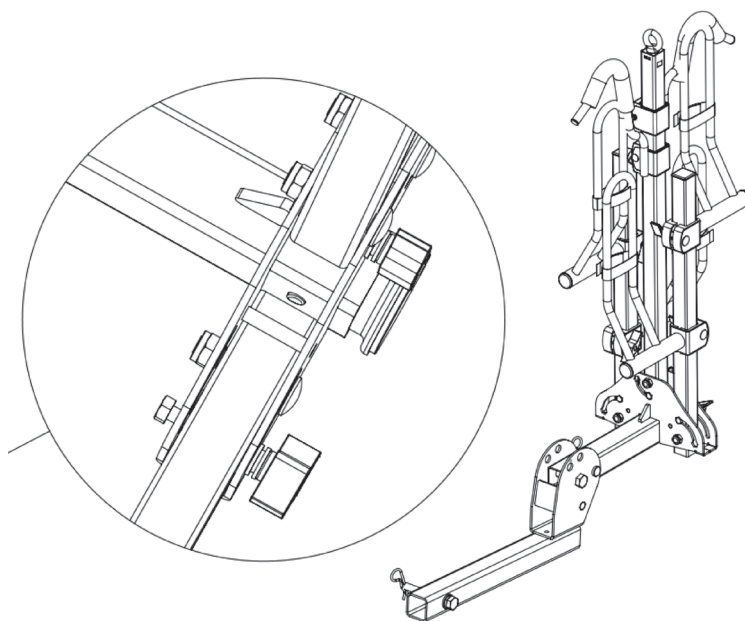


FIGURE 13

FOLDED WHEN NOT IN USE FEATURE

Fold Vertical Tube to the horizontal position, and then fold the Folding Shank assembly to the vertical position. (See **Figure 14**)

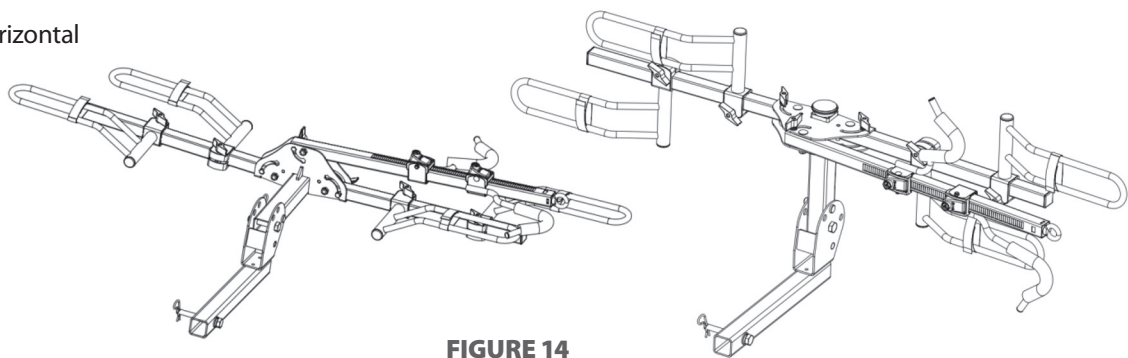
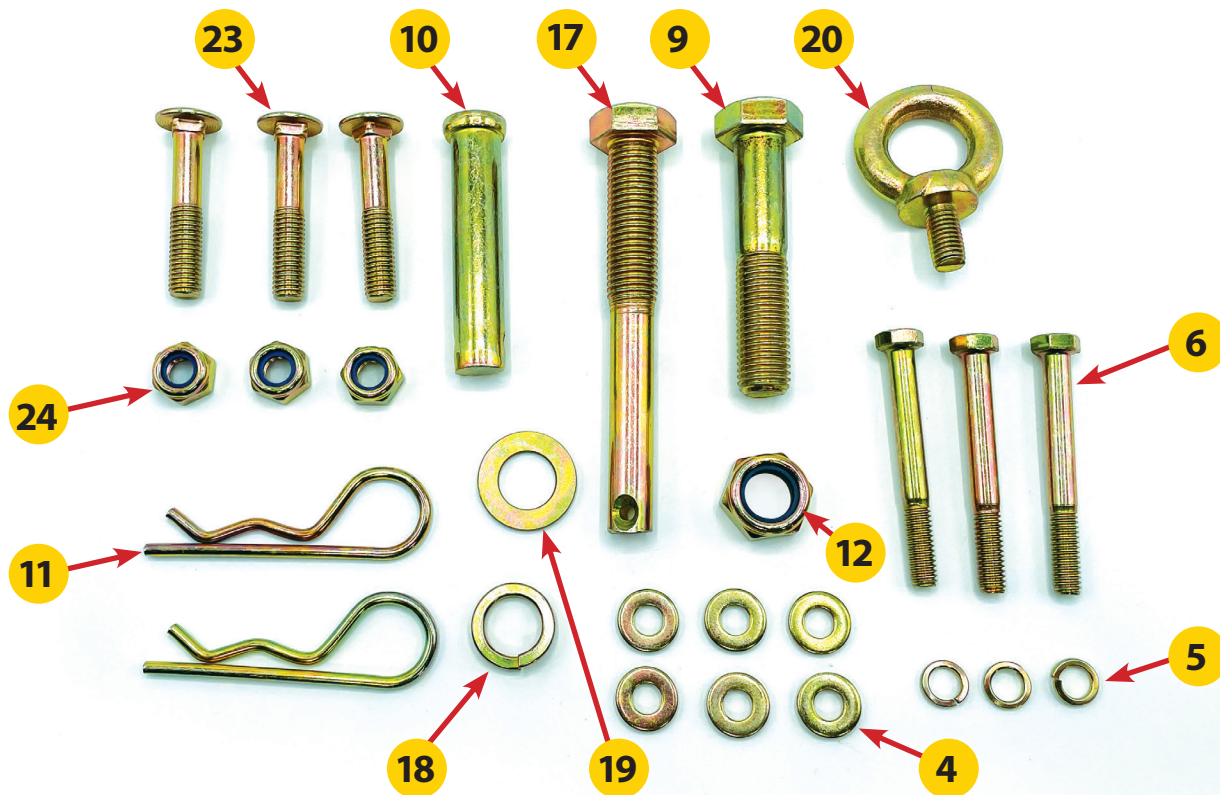


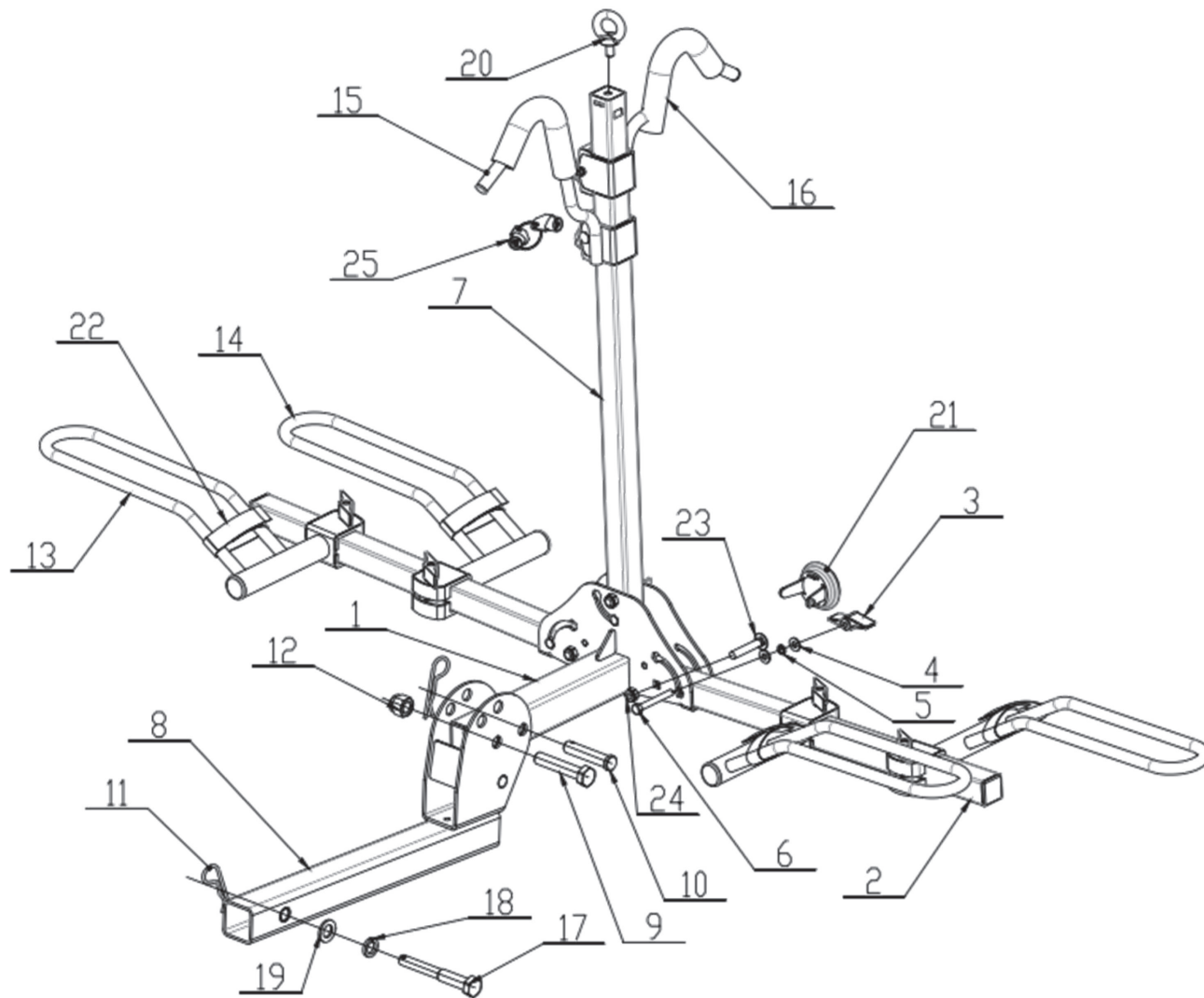
FIGURE 14

HARDWARE KIT



PART #	DESCRIPTION	QTY	PART #	DESCRIPTION	QTY	PART #	DESCRIPTION	QTY
1	Support Base Assembly	1	9	M16 Bolt	1	17	Stabilizing Pin	1
2	Horizontal Tube	2	10	5/8" Pin	1	18	16 Spring Washer	1
3	5/16" Knob	3	11	Clip	2	19	16 Flat Washer	1
4	5/16" Flat Washer	6	12	M16 Locknut	1	20	Eyebolt	1
5	5/16" Spring Washer	3	13	Left Cradle Assembly	2	21	Reflector	1
6	5/16" Hexagon Bolt	3	14	Right Cradle Assembly	2	22	Wheel Cradle Strap	4
7	Vertical Tube	1	15	Long J-Hook Assembly	1	23	M10 Carriage Bolt	3
8	Folding Shank	1	16	Short J-Hook Assembly	1	24	M10 Locknut	3
						25	Circular Key	1

ASSEMBLY DIAGRAM



PART #	DESCRIPTION	QTY
1	Support Base Assembly	1
2	Horizontal Tube	2
3	5/16" Knob	3
4	5/16" Flat Washer	6
5	5/16" Spring Washer	3
6	5/16" Hexagon Bolt	3
7	Vertical Tube	1
8	Folding Shank	1
9	M16 Bolt	1
10	5/8" Pin	1

PART #	DESCRIPTION	QTY
11	Clip	2
12	M16 Locknut	1
13	Left Cradle Assembly	2
14	Right Cradle Assembly	2
15	Long J-Hook Assembly	1
16	Short J-Hook Assembly	1
17	Stabilizing Pin	1
18	16 Spring Washer	1
19	16 Flat Washer	1
20	Eyebolt	1

PART #	DESCRIPTION	QTY
21	Reflector	1
22	Wheel Cradle Strap	4
23	M10 Carriage Bolt	3
24	M10 Locknut	3
25	Circular Key	1

