
HITCH MOUNT BICYCLE CARRIER

Model BC-104



Maximum Loading Capacity – 120 LBS

Stromberg Carlson Products, Inc.
2323 Traversefield Drive
Traverse City, Michigan 49686
231-947-8600 ext. 108 for Customer Service
info@strombergcarlson.com

Recommended Tools for Assembly:



Open Wrench (2 pc.)
Size=17mm



Open Wrench (2 pc.)
Size=19mm



Open Wrench (2 pc.)
Size=24mm

Assembly Instructions

STEP 1 Attach Elbow Plate (part #2) onto the Hitch Base (part #1) using M16x80 Bolt (part #4), and M16 Nut (part #5). Next, insert Pin (part #6), using “R” Pin (part #7) to secure it. Attach Center Support (part #3) into Elbow Plate using (2) M12x80 Bolts (part #8) and (2) M12 Nuts (part #9). **See FIG. 1**

STEP 2 Attach Elbow Support (part #10) onto the Center Support by using an M10x65 Bolt (part #12) and M10 Nut (part #13). Next, connect the Bike Holder Tube (part #11) onto the Elbow Support with an M10x65 Bolt (part #12) and M10 Nut (part #13). **See FIG. 2**

STEP 3 Next, place (2) “W” Plates (part #14) onto the Elbow Support and the Bike Holder Tube, using (2) Handles (part #15) to secure. Insert the Reflector (part #16) into the Bike Holder Tube. **See FIG. 3**

FIG. 1

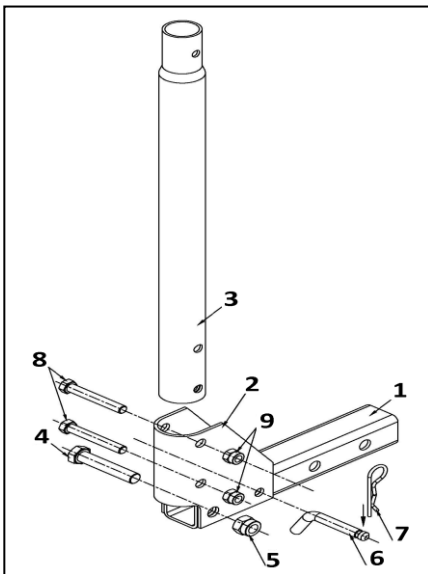


FIG. 2

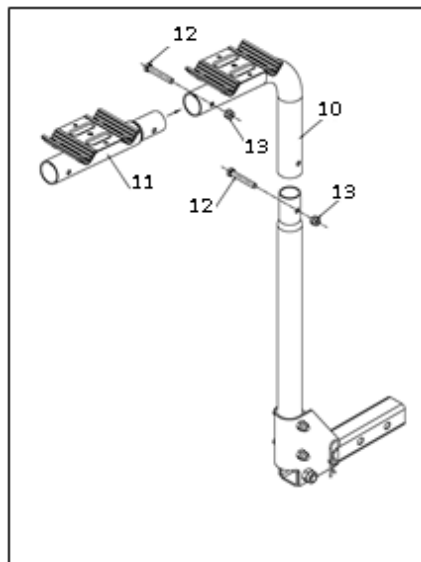
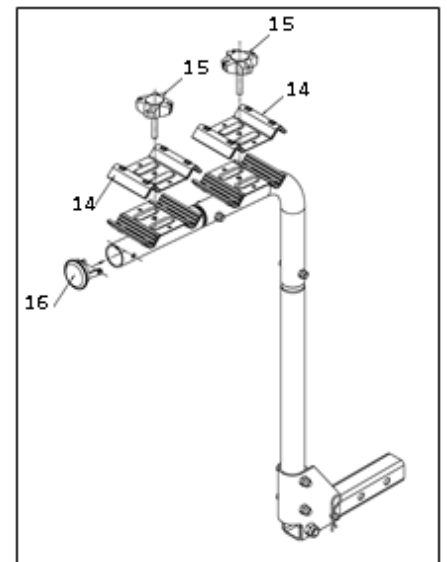


FIG. 3

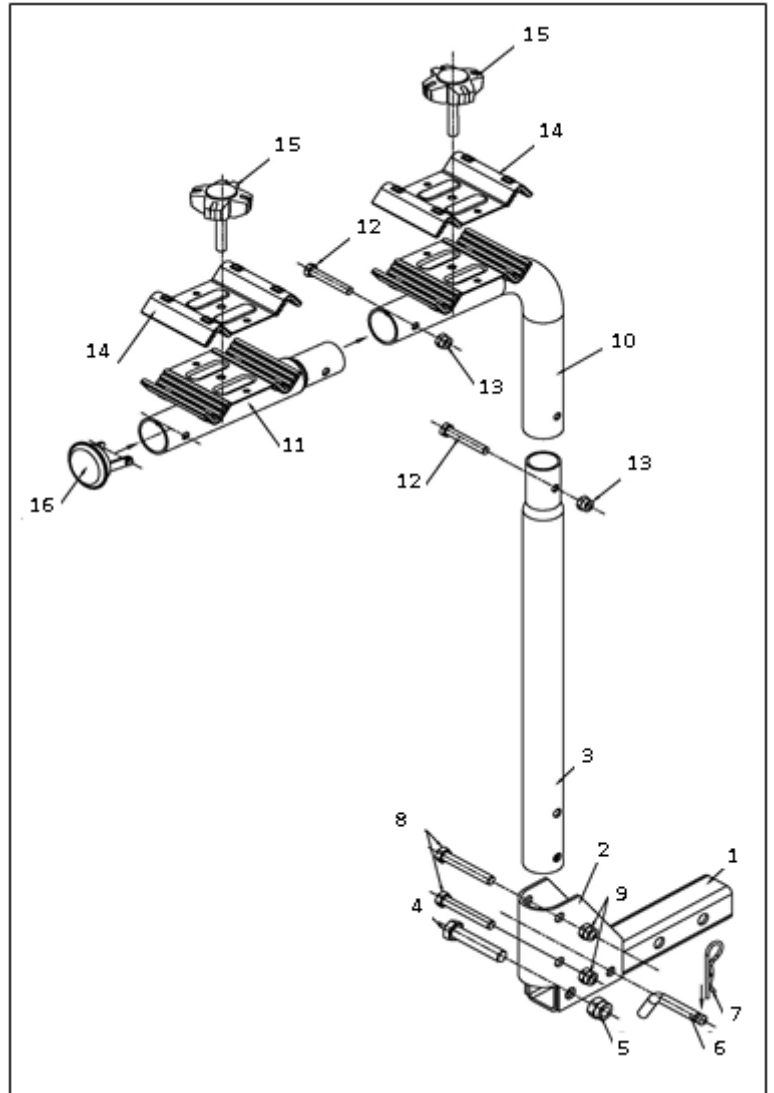


Stromberg Carlson Products, Inc.
2323 Traversefield Drive
Traverse City, Michigan 49686
231-947-8600 ext. 108 for Customer Service
info@strombergcarlson.com



Carton Contents and Assembly Diagram

Part #	Description	Qty
1	Hitch Base	1
2	Elbow Plate	1
3	Center Support	1
4	M16X80 Bolt	1
5	M16 Nut	1
6	Pin	1
7	"R" Pin	1
8	M12X80 Bolt	2
9	M12 Nut	2
10	Elbow Support	1
11	Bike Holder Tube	1
12	M10X65 Bolt	2
13	M10 Nut	2
14	"W" Plate	2
15	Handle	2
16	Reflector	1



* THIS BIKE RACK IS BUILT TO BE STRONG AND ECONOMICAL. IT MAY BE DIFFICULT TO MOUNT CERTAIN FRAME DESIGNS TO THIS CARRIER. FURTHER, BIKES WILL HAVE CONTACT WITH EACH OTHER ON THIS BIKE CARRIER DESIGN. IF THIS CONCERNS YOU, PLEASE SEE OUR BIKE RACK MODEL BC-204.

Stromberg Carlson Products, Inc.
2323 Traversefield Drive
Traverse City, Michigan 49686
231-947-8600 ext. 108 for Customer Service
info@strombergcarlson.com

