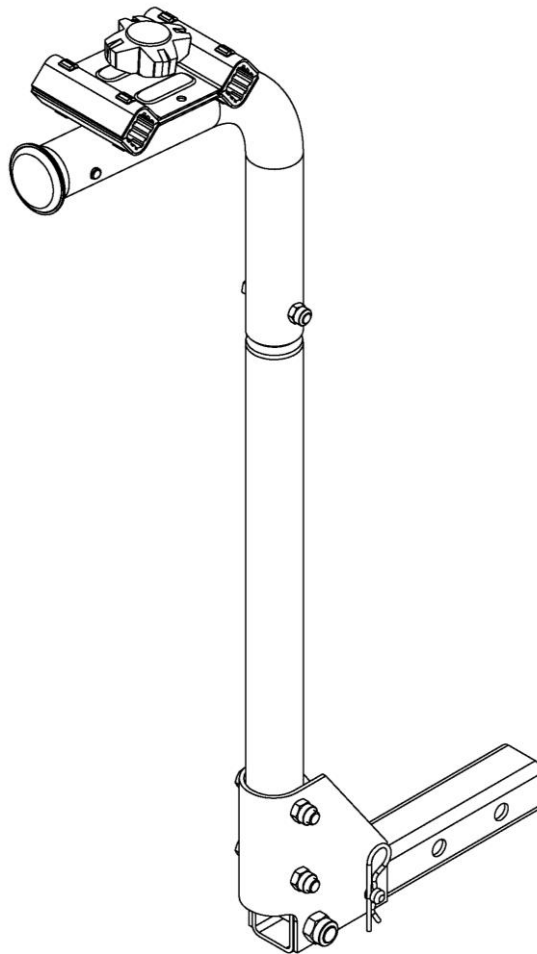




**STROMBERG CARLSON
PRODUCTS INC.**

HITCH MOUNT BICYCLE CARRIER

Model BC-102



MAXIMUM LOADING CAPACITY – 60 LBS

**Stromberg Carlson Products, Inc.
2323 Traversefield Drive
Traverse City, Michigan 49686
231-947-8600 ext. 108 for Customer Service
info@strombergcarlson.com**



STROMBERG



**STROMBERG CARLSON
PRODUCTS INC.**

Recommended Tools for Assembly:



Open Wrench (2 pc.)
Size=17mm



Open Wrench (2 pc.)
Size=19mm



Open Wrench (2 pc.)
Size=24mm

Assembly Instructions

STEP 1 Attach Elbow Plate (part #2) onto Hitch Base (part #1) using the M16x80 Bolt (part #4) and M16 Nut (part #5). Next, insert Pin (part #6), using “R” Pin (part# 7) to secure it. Attach Center Support (part #3) into Elbow Plate, using (2) M12x80 Bolts (part #8) and (2) M12 Nuts (part #9). See FIG. 1

STEP 2 Attach Elbow Support (part #10) onto the Center Support by using M10x65 Bolt (part #11) and M10 Nut (part #12). See FIG. 2

STEP 3 Next, place “W” Plate (part #13) onto the Elbow Support using Handle (part #14). Insert the Reflector (part #15) into the Elbow Support tube. See FIG. 3

FIG. 1

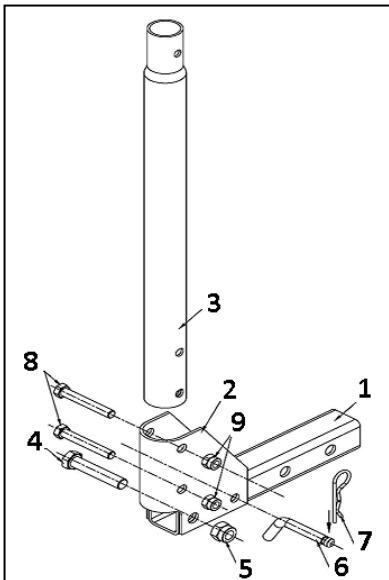


FIG. 2

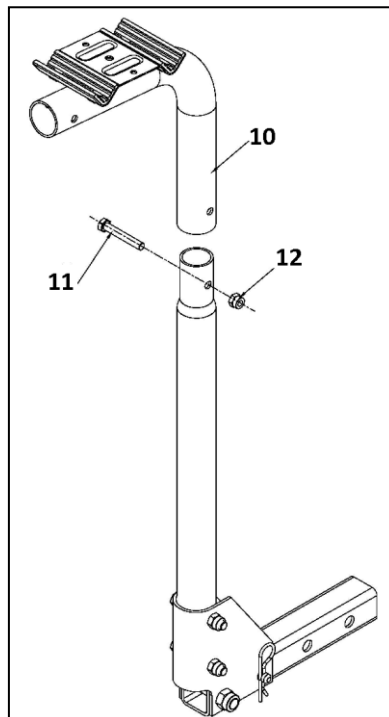
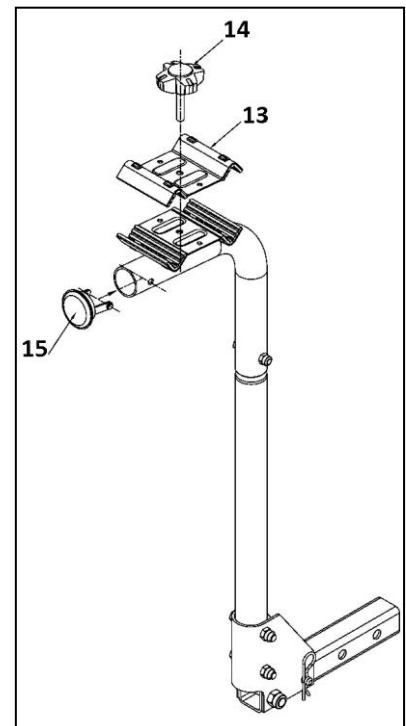


FIG. 3

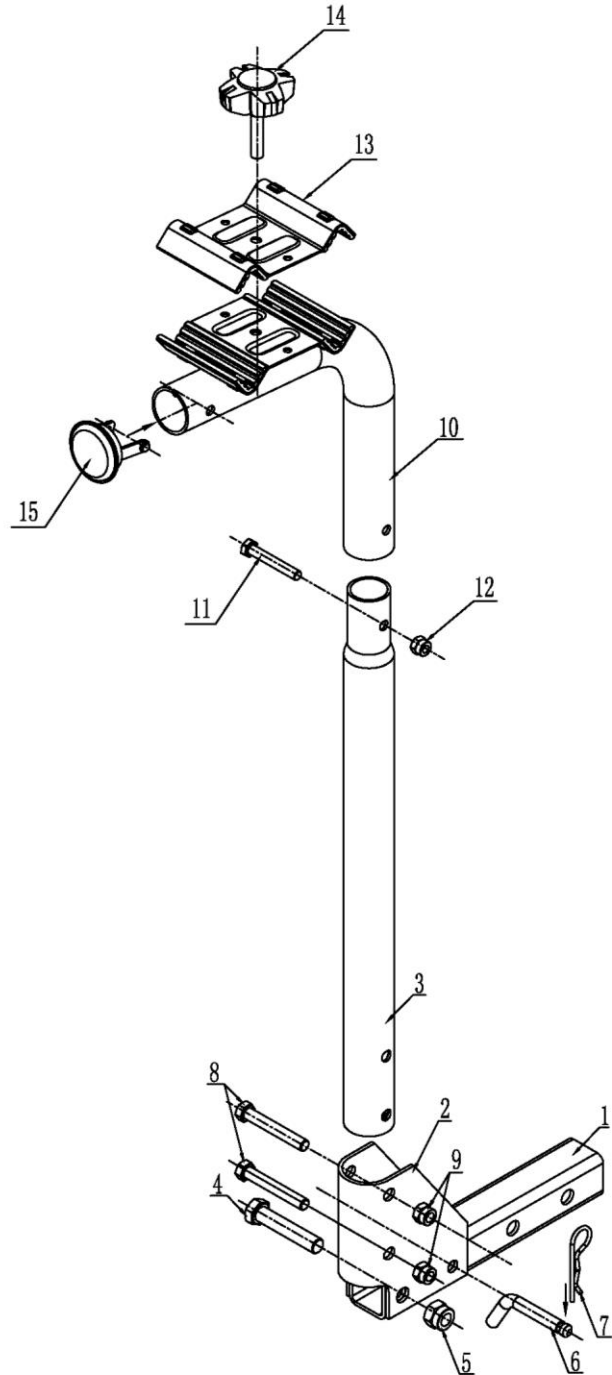


Stromberg Carlson Products, Inc.
2323 Traversefield Drive
Traverse City, Michigan 49686
231-947-8600 ext. 108 for Customer Service
info@strombergcarlson.com



Carton Contents & Assembly Diagram

Part#	Description	Qty
1	Hitch Base	1
2	Elbow Plate	1
3	Center Support	1
4	M16X80 Bolt	1
5	M16 Nut	1
6	Pin	1
7	"R" Pin	1
8	M12X80 Bolt	2
9	M12 Nut	2
10	Elbow Support	1
11	M10X65 Bolt	1
12	M10 Nut	1
13	"W" Plate	1
14	Handle	1
15	Reflector	1



* THIS BIKE RACK IS BUILT TO BE STRONG AND ECONOMICAL. IT MAY BE DIFFICULT TO MOUNT CERTAIN FRAME DESIGNS TO THIS CARRIER. FURTHER, BIKES WILL HAVE CONTACT WITH EACH OTHER ON THIS BIKE CARRIER DESIGN. IF THIS CONCERNS YOU, PLEASE SEE OUR BIKE RACK MODEL BC-202.

Stromberg Carlson Products, Inc.
 2323 Traversefield Drive
 Traverse City, Michigan 49686
 231-947-8600 ext. 108 for Customer Service
info@strombergcarlson.com