

Trimming the Extend-A-Shower

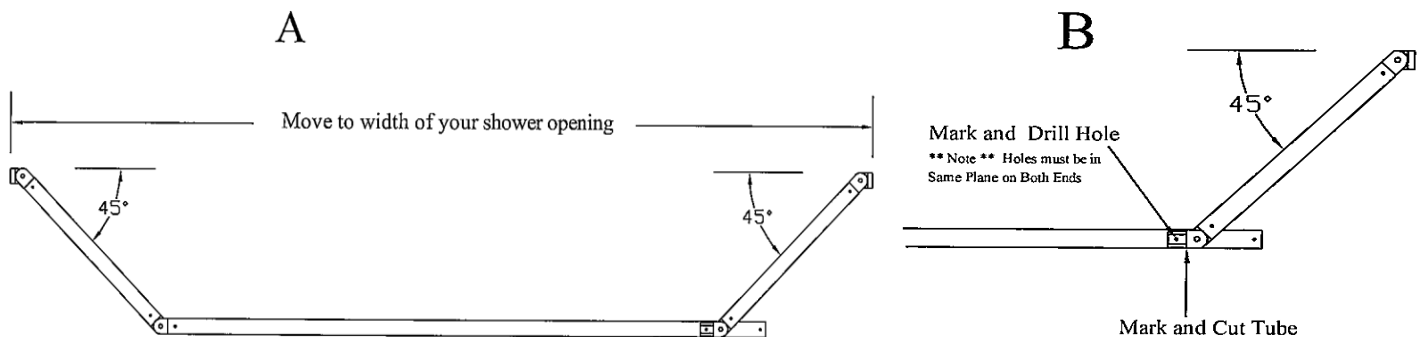
If your shower is too small to allow the Extend-A-Shower you purchased to operate as designed, you can trim it to fit your application. To determine how much the Extend-A-Shower needs to be trimmed, you will need to measure the width of your shower at the intended mounting location. Attach the center rod to both the right and left arms. Then remove one of the fittings from the center rod while it's still attached to either the right or left arm.

Next, lay the tape measure out on a flat surface to represent the width of the shower. Lay out the Extend-A-Shower on both ends of the tape measure, placing the right and left tubes at a 45° angle to the shower opening (see diagram A). The center rod will intersect the detached arm at the location that needs to be trimmed (see diagram B). Tape the area to be trimmed to protect the finish, then mark and trim the rod using either a tube cutter or fine tooth hack saw. Be sure to re-drill the hole at the end you cut, on the same plane as the hole on the other side, to prevent a twist in the rod/bracket.

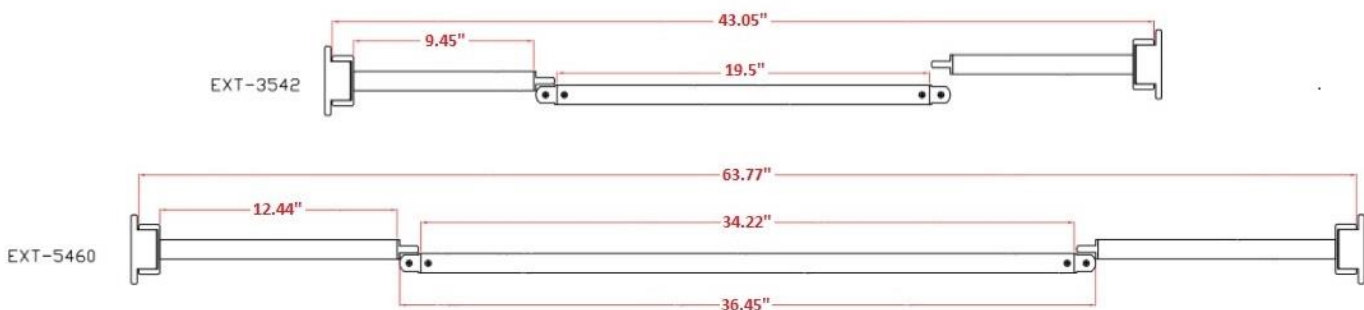
When installing the shower rod, make sure the screw heads are down. There is no dimple in the piece that was just trimmed, so the screw head will interfere with the shower rings if they are located at the top of the shower rod.

Tools/equipment you will need:

- Tape measure
- Philips screwdriver
- Pipe cutter or hack saw
- Electric drill
- 3/16" drill bit
- Tape



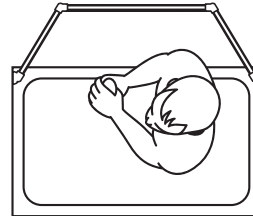
Factory Lengths for EXT-3542 & EXT-5460



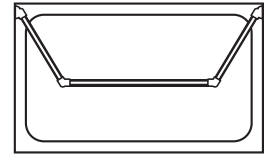
If you have any questions please call our customer service line at 231-947-8600 X 108. Our customer service hours are 8am - 5pm EST, Mon-Thu & 8am - 4pm on Friday.

Extend-A-Shower

The *slide out room* for your shower!



Extend-A-Shower in use



Stored position

Model Number EXT-3542

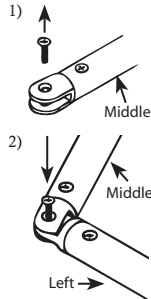
Made in Taiwan. Patent Pending in USA, Germany, Taiwan, and China

Please read all instructions before beginning installation.*

Assembly:

1) Remove end bolts from long middle section.

2) Line up ends of middle section with right and left sections. Screw in bolts.

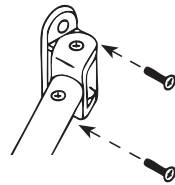


*When the Extend-A-Shower is assembled correctly all four pivoting points rotate 180 degrees.

Installation:

1) Before drilling any holes, locate wall studs, blocking or plan to use wall anchors for needed support. Be sure the shower rod is placed so your shower curtain can return water back into your tub or basin.

2) Mark and drill small pilot holes in shower stall.



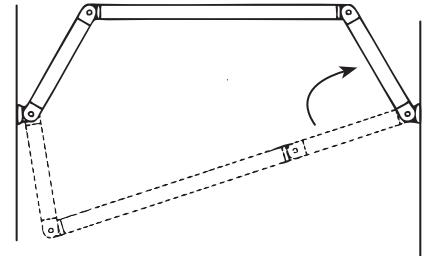
3) Screw Extend-A-Shower into place. (Self tapping screws are included)

* If shower stall space is narrower than 35", the Extend-A-Shower will not rotate.

To Collapse:

1) Drag middle section to left

2) Push right side in. **3)** Push left side in.



Caution: The Extend-A-Shower rod will only support the weight of your shower curtain and clothing in proportion to what it is mounted into. The mounting screws need to be placed into a wall stud, blocking or, at minimum, some wall anchors. In some cases, it may be best to drill through your wall and back your assembly with a large plate acting as a washer to give support to the shower rod assembly. If you are not confident in your abilities to install this product, please ask your dealer for help in this installation process. Stromberg Carlson assumes no liability in the installation of this shower rod.

STROMBERG CARLSON
PRODUCTS INC.

www.strombergcarlson.com

231-947-8600