



UNIVERSAL EXTERIOR RV LADDER

MODEL # LA-401 & LA-401BA

Thank you for purchasing the Stromberg Carlson Products, Inc. LA-401/LA-401BA Universal Exterior RV Ladder.

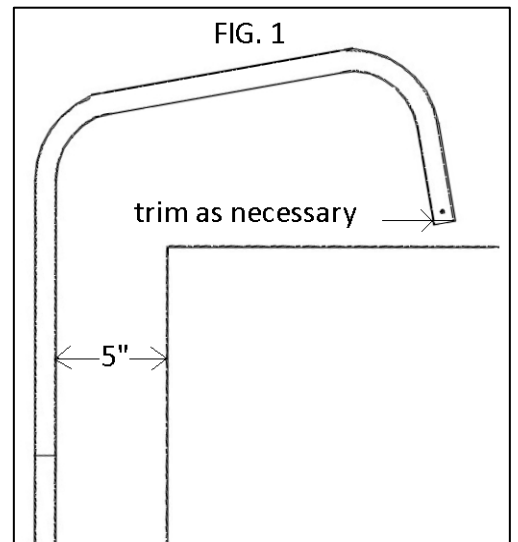
Please read all directions thoroughly prior to assembly. When assembled and used properly, this product will provide many years of trouble free service. This kit contains components and hardware for one complete universal ladder. Complete the following easy steps and you will be ready to use your new universal ladder.

Tools Needed for Installation:

#2 Phillips Screwdriver	Hack Saw or Tube Cutter	Drill	$\frac{3}{16}$ " & $\frac{1}{4}$ " Drill Bit	Masking Tape or Pencil	Adjustable Wrench or Pliers
----------------------------	----------------------------	-------	---	---------------------------	--------------------------------

Assembly Instructions:

- Determine backing/framing locations in the back wall and rear roof of your RV; mark accordingly (using masking tape or a pencil). This will help you in determining standoff placement later in the installation. If you are unable to determine backing/framing locations with a stud finder or other method, you will need to call your RV manufacturer for a blue print or contact an RV service center for assistance.
- Insert the (2) Top U-Shaped Ladder Sections (part #1) into the Middle Straight Ladder Section (part #2). Bolt them together using (2) #10-24 x 30 mm Bolts (part #7).
- Keeping the Middle Straight Ladder Section parallel with the back wall of your RV, place the upright tubes of the Top U-Shaped Ladder Sections on the roof of your RV. Be sure to maintain 5" spacing between the vertical tube and back wall of your RV for installation of the standoffs in later steps.
- Trim the roof mount ends of the Top U-Shaped Ladder Section vertical tubes so the ladder will mount flush to the roof (trimming may not be necessary if you do not have a sloped roof). **See FIG. 1**
- Using a $\frac{3}{16}$ " drill bit, drill a hole $\frac{1}{2}$ " up from the bottom of the newly cut tube. Attach (2) Roof Mount Brackets (part #6) to the upright tubes of the Top U-Shaped Ladder Sections, using (2) #10-24 x 37 mm Bolts (part #7).
- Attach the Roof Mount Brackets to the roof of your RV, using (4) #10 Sheet Metal Screws (part # 7). Be sure to anchor them into backing/framing.
- Attach the top (2) 5" Standoff Assemblies (part #4) to your RV, using (8) #10 Sheet Metal Screws (part #7). Be sure to attach where your RV ladder and the pre-identified backing/framing locations coincide, turning the standoff mounting plate in the orientation that best aligns with the structural backing in your RV. These standoffs should meet your ladder uprights between the top two treads.
- Mark your ladder uprights where the standoffs meet. Using a $\frac{1}{4}$ " drill bit, drill through your ladder uprights and attach them to the standoffs, using the bolts that were stored during shipment in the cap of the standoff.

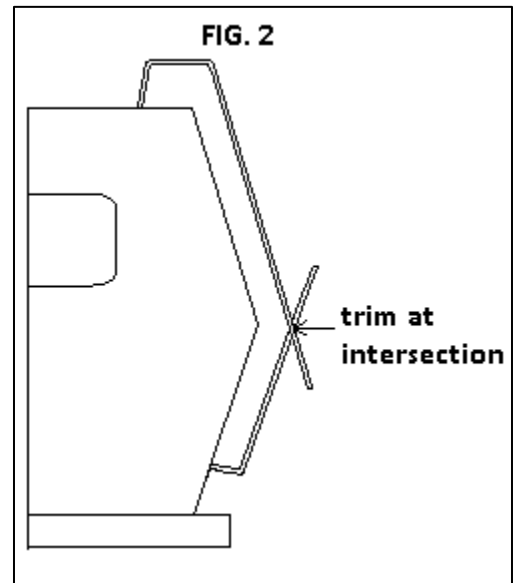




UNIVERSAL EXTERIOR RV LADDER

MODEL # LA-401 & LA-401BA

9. Place the rectangular mounting plates from the Bottom J-Shaped Ladder Section (part #3) against your RV (at a location where backing/framing exists), approximately 6" to 12" above your bumper, in line with the top two ladder sections already installed.
10. Maintaining 5" spacing between the ladder and the rear wall of your RV, mark the ladder tubing where the Bottom J-Shaped and Middle Straight Ladder Sections meet. Trim excess ladder tubing, using a hacksaw or tube cutter. **See FIG. 2**
11. **For RVs with a flat rear wall**, turn the (2) Swivel Castings (part #5) 90° (so they swivel left and right when facing the ladder) and insert them in the Middle Straight and Bottom J-Shaped Ladder Sections. Inserting the Swivel Castings in this manner will prevent the ladder from sagging in toward or bulging away from your RV. Using a $\frac{3}{16}$ " drill bit, drill a hole through the ladder tubing and Swivel Casting $\frac{1}{2}$ " above and $\frac{1}{2}$ " below the trimmed ladder end. Connect the ladder tubing and Swivel Castings using (4) #10-24 x 30 mm Bolts (part #7).
12. **For RVs with a curved rear wall**, keep the (2) Swivel Castings (part #5) in line with the ladder uprights (so they swivel toward and away from you when facing the ladder) and insert them in the Middle Straight and Bottom J-Shaped Ladder Sections. Inserting the Swivel Castings in this manner will allow the ladder to pivot, following the curve of your RV. Using a $\frac{3}{16}$ " drill bit, drill a hole through the ladder tubing and Swivel Casting $\frac{1}{2}$ " above and $\frac{1}{2}$ " below the trimmed ladder end. Connect the ladder tubing and Swivel Castings using (4) #10-24 x 30 mm Bolts (part #7).
13. Using (8) #10 Sheet Metal Screws (part #7), secure the Bottom J-Shaped Ladder Section brackets to your RV.
14. Attach the bottom (2) 5" Standoff Assemblies (part #4) to your RV, using (8) #10 Sheet Metal Screws (part #7). Be sure to attach where your RV ladder and the pre-identified backing/framing locations coincide, turning the standoff mounting plate in the orientation that best aligns with the structural backing in your RV. These standoffs should meet your ladder uprights 8"-10" below your Swivel Castings.
15. Mark your ladder uprights where the standoffs meet. Using a $\frac{1}{4}$ " drill bit, drill through your ladder uprights and attach them to the standoffs, using the bolts that were stored during shipment in the cap of the standoff.



Be sure to use an outdoor type sealant at all points where holes are being drilled into your RV.

CAUTION: All screws connecting the ladder to the RV must be fastened to the RV's blocking or sub frame. If you are uncertain about the blocking or sub frame location, contact your trailer manufacturer. It is unsafe to use a ladder that is not connected to the RV's blocking or sub frame. Be sure to maintain safe contact with your new ladder at all times while ascending or descending.

Maximum weight capacity – 250 lbs. when properly installed.

INS-LA401 & INS-LA401BA

03.12.2018



UNIVERSAL EXTERIOR RV LADDER MODEL # LA-401 & LA-401BA

Carton Contents and Assembly Diagram

LA-401 (SILVER EXTERIOR LADDER) Carton Contents			
Part #	Model #	Description	Qty
1	1LA-401-A1	Top U-Shaped Ladder Section	2
2	1LA-401-A2	Middle Straight Ladder Section	1
3	1LA-401-A3	Bottom J-Shaped Ladder Section	1
4	8535	5" Standoff Assemblies	4
5	8525-BK	Swivel Castings (Hinges)	2
6	8521-BK	Roof Mount Brackets	2
7	1LA-401-B	#10 Sheet Metal Screws	28
		#10-24 x 30 mm Bolts & Nuts	6
		#10-24 x 37 mm Bolts & Nuts	2

LA-401BA (BLACK EXTERIOR LADDER) Carton Contents			
Part #	Model #	Description	Qty
1	1LA-401BA-A1	Top U-Shaped Ladder Section	2
2	1LA-401BA-A2	Middle Straight Ladder Section	1
3	1LA-401BA-A3	Bottom J-Shaped Ladder Section	1
4	8535-B	5" Standoff Assemblies	4
5	8525-BK	Swivel Castings (Hinges)	2
6	8521-BK-B	Roof Mount Brackets	2
7	1LA-401-B	#10 Sheet Metal Screws	28
		#10-24 x 30 mm Bolts & Nuts	6
		#10-24 x 37 mm Bolts & Nuts	2

If you are missing any components, please contact Stromberg Carlson Products at 231-947-8600 x 108.

