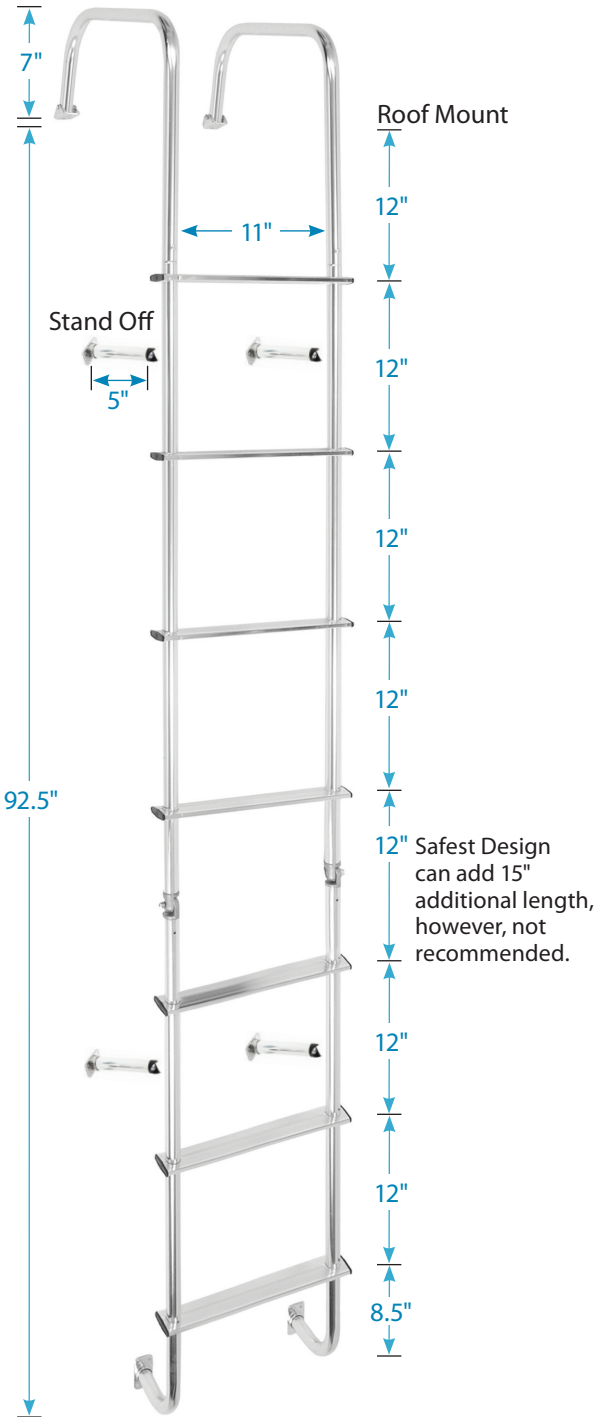




RV LADDER DIMENSIONS

Universal Exterior RV Ladder

- 1" diameter tubing.
- 11" wide center line of each 1" diameter tube.
- 92.5" recommended maximum length to keep treads at same 12" separation. Can add 15" more to length or shorten by trimming ladder.
- In some cases, trimming the top "U" shape brackets can help fit your ladder best to your coach.
- Mounts on roof 12-3/4" from edge with 5" stand off.



Starter Ladders

