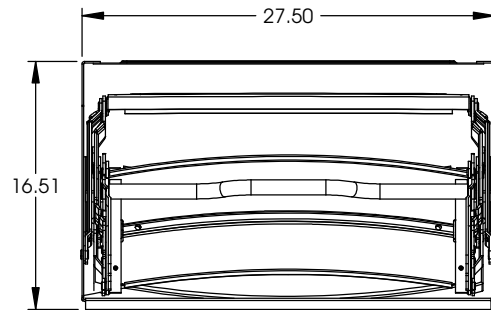
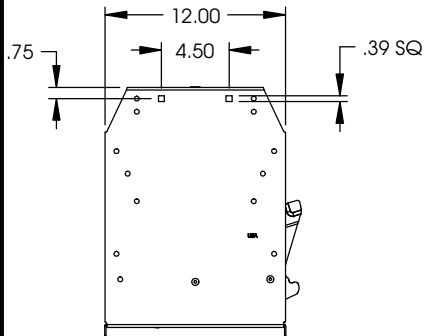
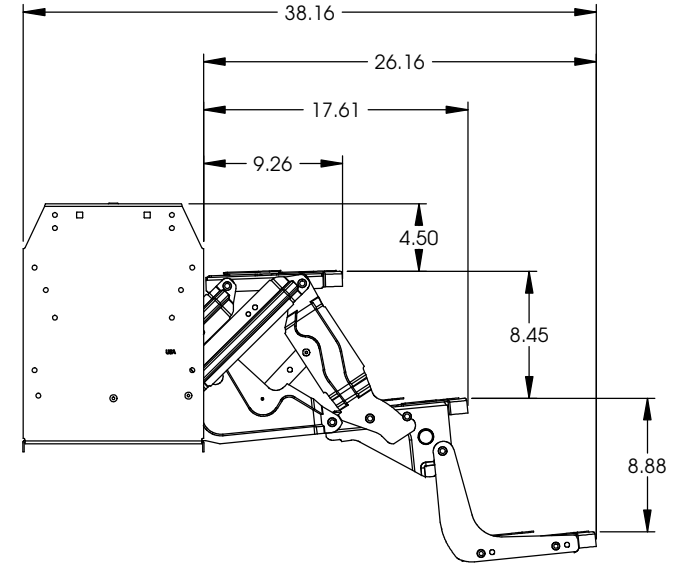
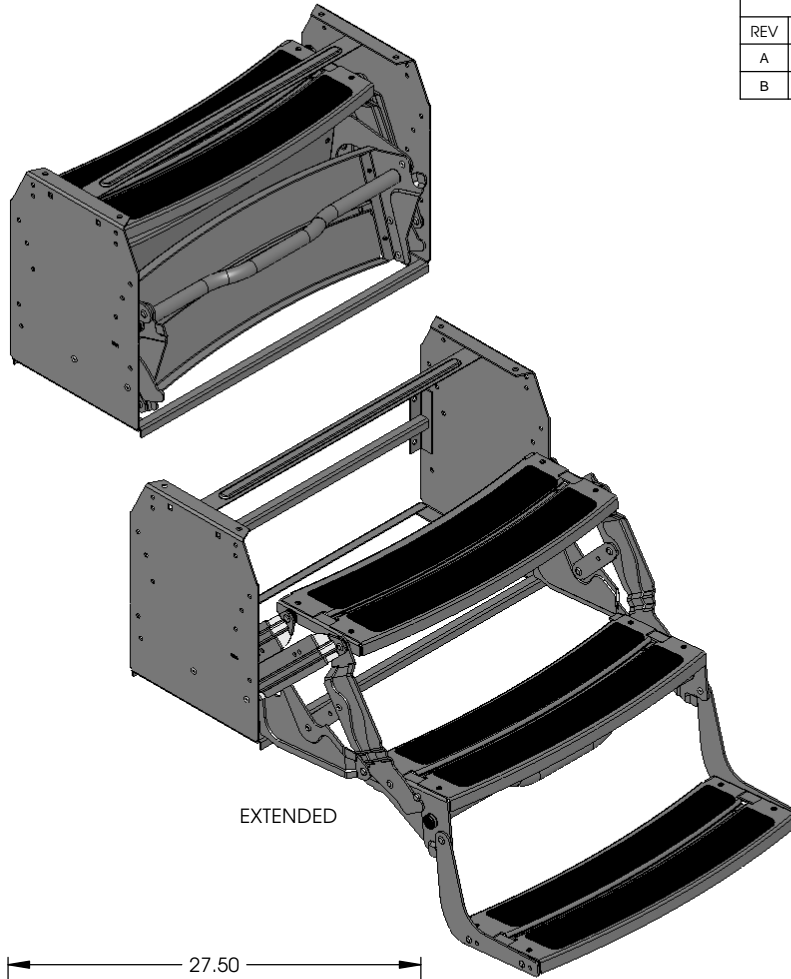
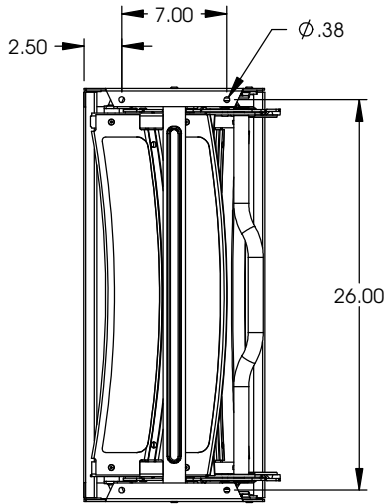



NOTES:

1. INCLUDES TREAD TAPE - 2 PCS PER STEP
2. ALL DIMENSIONS REFERENCE
3. WEIGHT: 63.43 LBS

REVISION HISTORY				
REV	DATE	DESCRIPTION	DWR	APVD
A	3/4/2010	INITIAL RELEASE	JLC	ENG
B	5/7/2010	UPDATED PRINT TO REFLECT 2 PCS TREAD TAPE PER STEP	SAG	SM



TITLE: STEP, 24" RADIUS TRIPLE 9; TAPE		LIPPERT COMPONENTS		THE INFORMATION CONTAINED IN THIS DRAWING IS THE SOLE PROPERTY OF LIPPERT COMPONENTS, INC. ANY REPRODUCTION IN PART OR AS A WHOLE WITHOUT THE WRITTEN PERMISSION OF LIPPERT COMPONENTS, INC. IS PROHIBITED.			
UNLESS OTHERWISE SPECIFIED ALL DIMENSIONS ARE IN INCHES BREAK SHARP EDGES & DEBURR		TOLERANCES (EXCEPT AS NOTED)			DWG. NO. 235456	DATE: 03/04/2010	REV. B
FILLETS R.015	FINISH 125	DECIMAL .X ±1 .XX ±03 .XXX ±005	FRACTIONAL ±1/16		SCALE: 1:8	ENG JLC	DWR JLC
THIRD ANGLE PROJECTION		ANGULAR ±1°		2703 COLLEGE AVE GOSHEN, IN 46528			