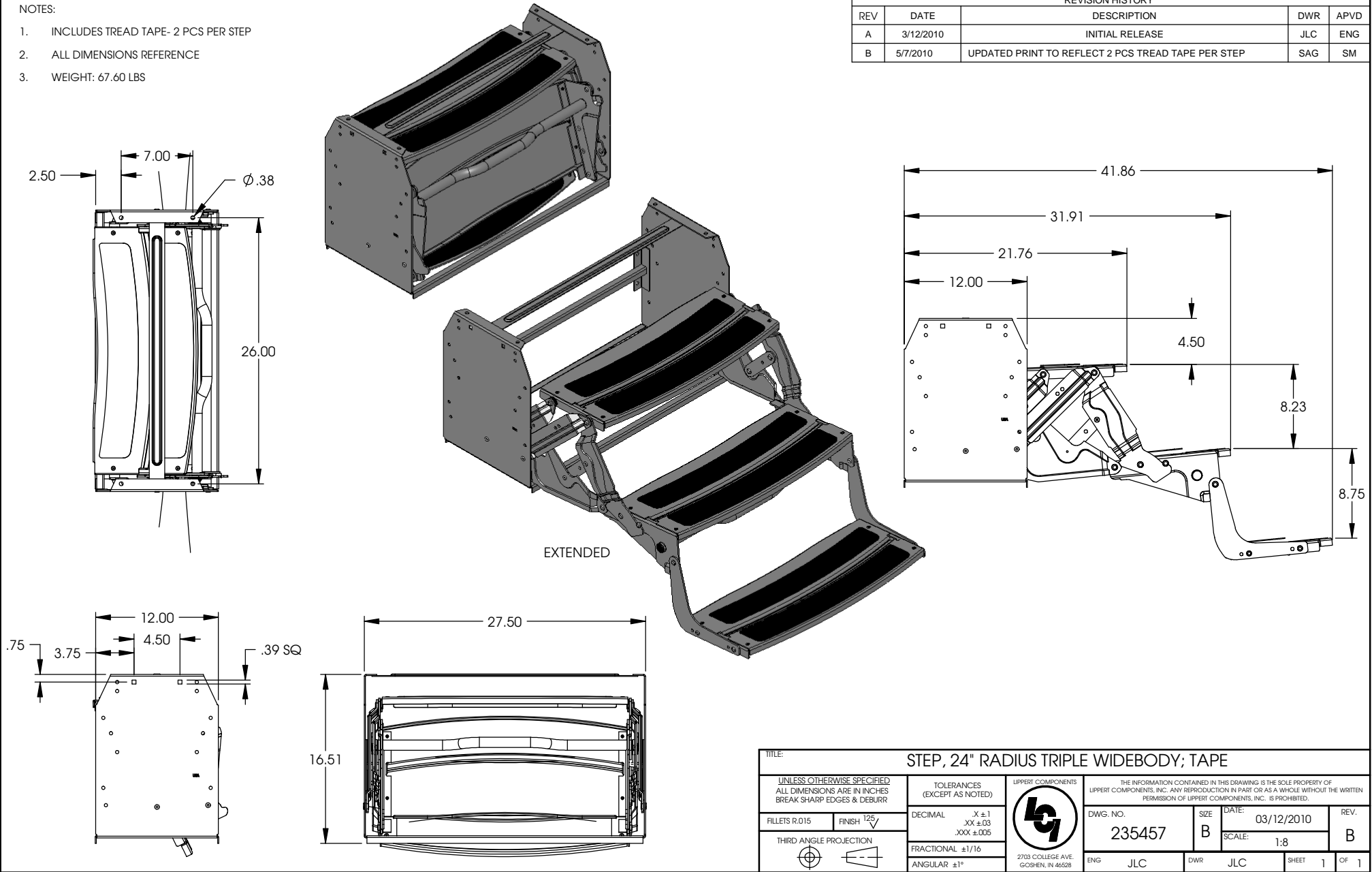

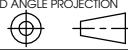


NOTES:

1. INCLUDES TREAD TAPE - 2 PCS PER STEP
2. ALL DIMENSIONS REFERENCE
3. WEIGHT: 67.60 LBS

REVISION HISTORY				
REV	DATE	DESCRIPTION	DWR	APVD
A	3/12/2010	INITIAL RELEASE	JLC	ENG
B	5/7/2010	UPDATED PRINT TO REFLECT 2 PCS TREAD TAPE PER STEP	SAG	SM



TITLE: STEP, 24" RADIUS TRIPLE WIDEBODY; TAPE												
UNLESS OTHERWISE SPECIFIED ALL DIMENSIONS ARE IN INCHES BREAK SHARP EDGES & DEBURR		TOLERANCES (EXCEPT AS NOTED)		LIPPERT COMPONENTS  2703 COLLEGE AVE GOSHEN, IN 46528								
FILLETS R.015	FINISH 125	DECIMAL X ±1 XX ±03 XXX ±005	THE INFORMATION CONTAINED IN THIS DRAWING IS THE SOLE PROPERTY OF LIPPERT COMPONENTS, INC. ANY REPRODUCTION IN PART OR AS A WHOLE WITHOUT THE WRITTEN PERMISSION OF LIPPERT COMPONENTS, INC. IS PROHIBITED.									
THIRD ANGLE PROJECTION 		FRACTIONAL ±1/16	ANGULAR ±1°	<table border="1"> <tr> <td>DWG. NO. <b>235457</b></td> <td>SIZE <b>B</b></td> <td>DATE 03/12/2010</td> <td>REV. <b>B</b></td> </tr> <tr> <td>ENG JLC</td> <td>DWR JLC</td> <td>SCALE: 1:8</td> <td>SHEET 1 OF 1</td> </tr> </table>	DWG. NO. <b>235457</b>	SIZE <b>B</b>	DATE 03/12/2010	REV. <b>B</b>	ENG JLC	DWR JLC	SCALE: 1:8	SHEET 1 OF 1
DWG. NO. <b>235457</b>	SIZE <b>B</b>	DATE 03/12/2010	REV. <b>B</b>									
ENG JLC	DWR JLC	SCALE: 1:8	SHEET 1 OF 1									