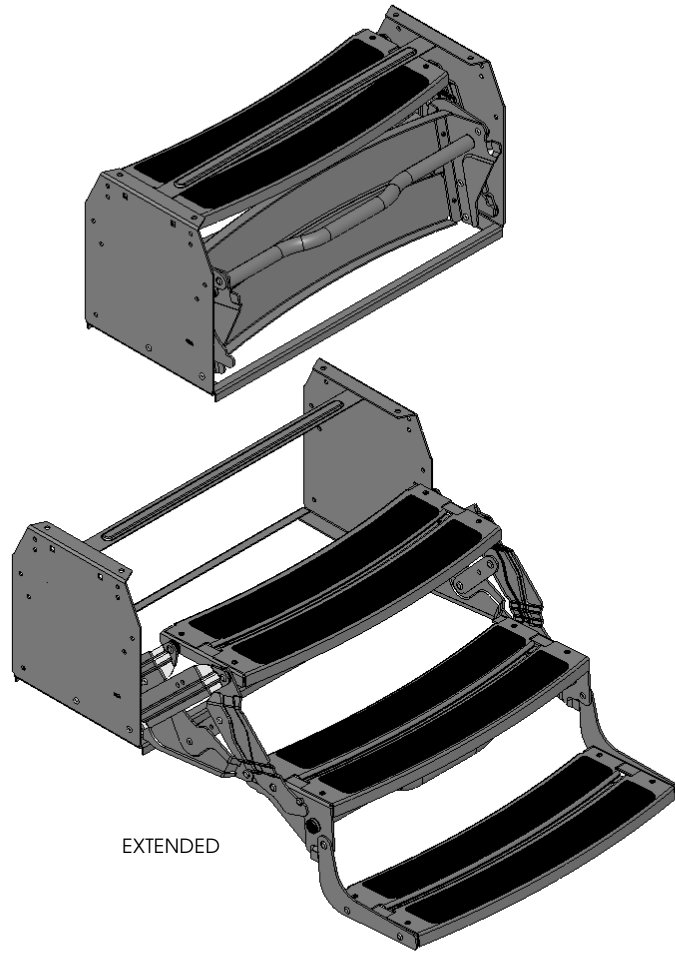
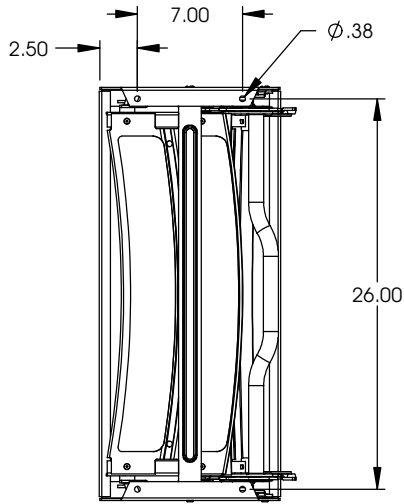


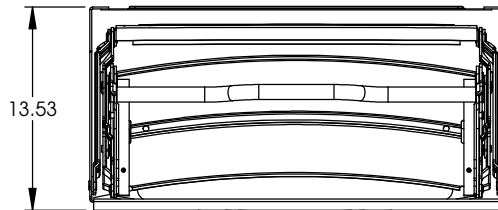
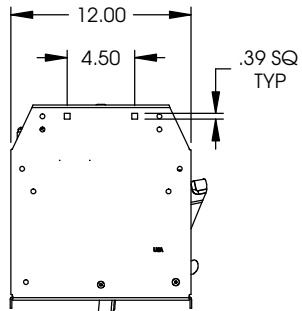
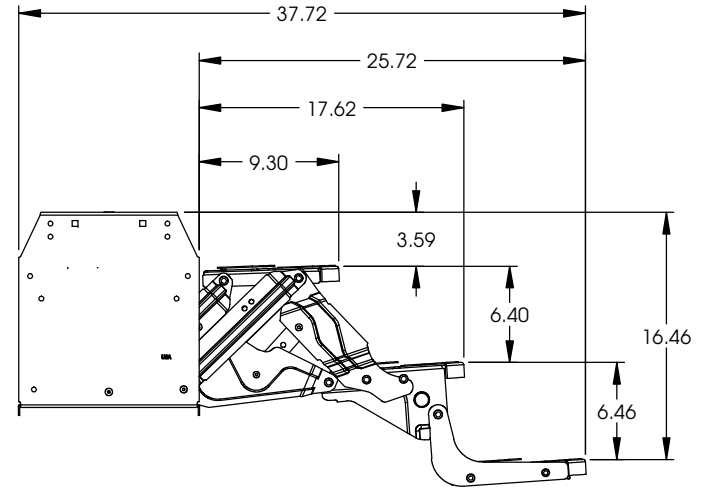
NOTES:

1. INCLUDES TREAD TAPE - 2 PCS PER STEP
2. ALL DIMENSIONS ARE REFERENCE
3. WEIGHT: 57.03 LBS



EXTENDED

REVISION HISTORY				
REV	DATE	DESCRIPTION	DWR	APVD
A	2/11/2010	INITIAL RELEASE		ENG
B	5/7/2010	UPDATED PRINT TO REFLECT 2 PCS TREAD TAPE PER STEP	SAG	SM



TITLE: STEP, 24" RADIUS TRIPLE 7; TAPE					
UNLESS OTHERWISE SPECIFIED ALL DIMENSIONS ARE IN INCHES BREAK SHARP EDGES & DEBURR		TOLERANCES (EXCEPT AS NOTED)		 LIPPERT COMPONENTS 2703 COLLEGE AVE GOSHEN, IN 46528	THE INFORMATION CONTAINED IN THIS DRAWING IS THE SOLE PROPERTY OF LIPPERT COMPONENTS, INC. ANY REPRODUCTION IN PART OR AS A WHOLE WITHOUT THE WRITTEN PERMISSION OF LIPPERT COMPONENTS, INC. IS PROHIBITED.
FILLETS R.015	FINISH 125	DECIMAL X ±1 XX ±.03 XXX ±.005	DATE: 02/12/2010		REV. B
THIRD ANGLE PROJECTION		FRACTIONAL ±1/16	SCALE: 1:8	DWG. NO. 235455	SIZE B
		ANGULAR ±1°	ENG JLC	DWR JLC	SHEET 1 OF 1