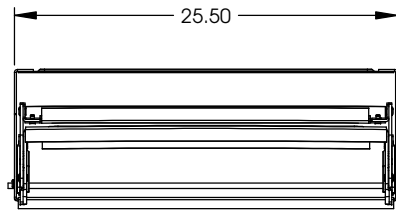
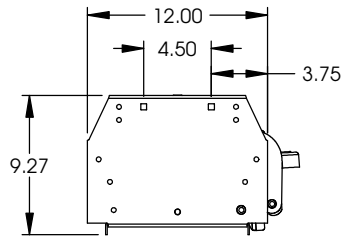
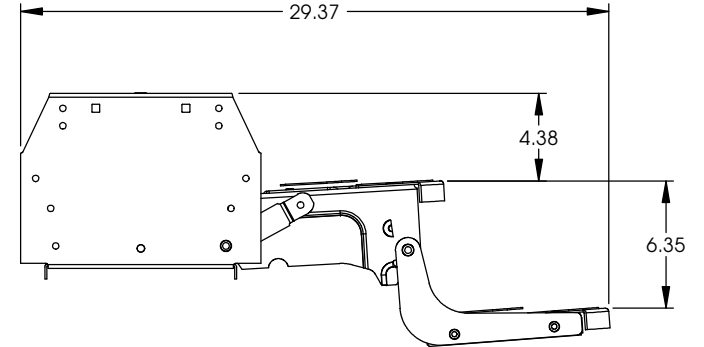
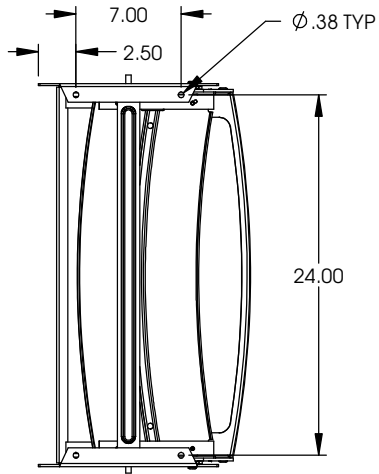
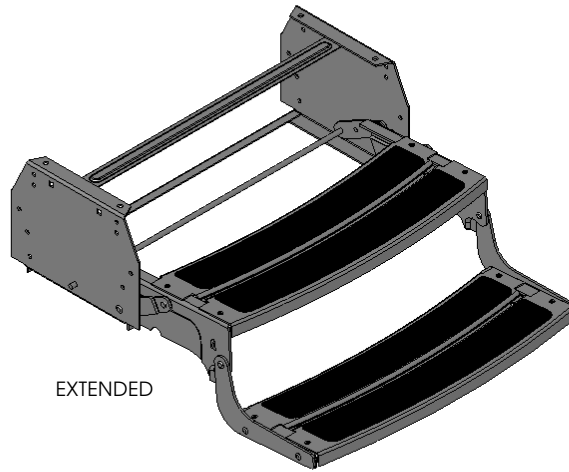
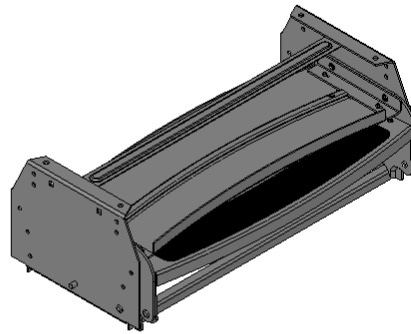

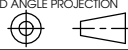


NOTES:

1. INCLUDES TREAD TAPE - 2 PER STEP
2. ALL DIMENSIONS ARE REFERENCE
3. 235454 - BLACK TAPE
4. 2354541 - GREY TAPE

REVISION HISTORY				
REV	DATE	DESCRIPTION	DWR	APVD
A	2/8/2010	INITIAL RELEASE	JLC	
B	5/7/2010	UPDATED PRINT TO REFLECT 2 PCS TREAD TAPE PER STEP	SAG	SM
C	10/8/2010	ADDED CONFIG 1	RAW	SM



TITLE: STEP, 24" RADIUS DOUBLE; TAPE		LIPPETT COMPONENTS		THE INFORMATION CONTAINED IN THIS DRAWING IS THE SOLE PROPERTY OF LIPPETT COMPONENTS, INC. ANY REPRODUCTION IN PART OR AS A WHOLE WITHOUT THE WRITTEN PERMISSION OF LIPPETT COMPONENTS, INC. IS PROHIBITED.	
UNLESS OTHERWISE SPECIFIED ALL DIMENSIONS ARE IN INCHES BREAK SHARP EDGES & DEBURR		TOLERANCES (EXCEPT AS NOTED)			DWG. NO. 235454
FILLETS R.015	FINISH 125	DECIMAL X ±1 XX ±03 XXX ±005	DATE: 02/08/2010		REV. C
THIRD ANGLE PROJECTION		FRACTIONAL ±1/16	SCALE: 1:8	ENG JLC	DWG. NO. 235454
		ANGULAR ±1°	SIZE B	DWR JLC	SHEET 1 OF 1
		2703 COLLEGE AVE GOSHEN, IN 46528			